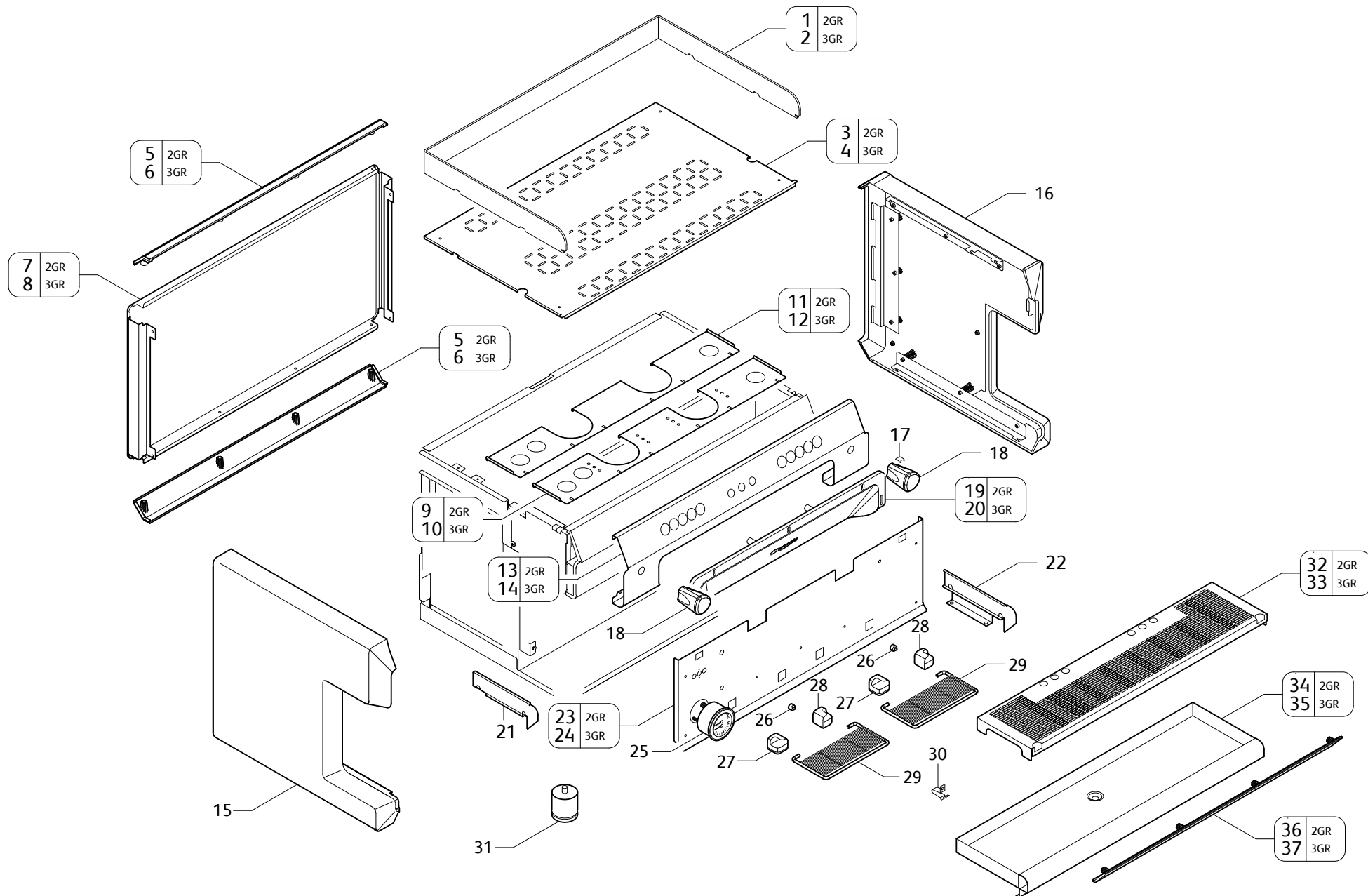


CORE 200

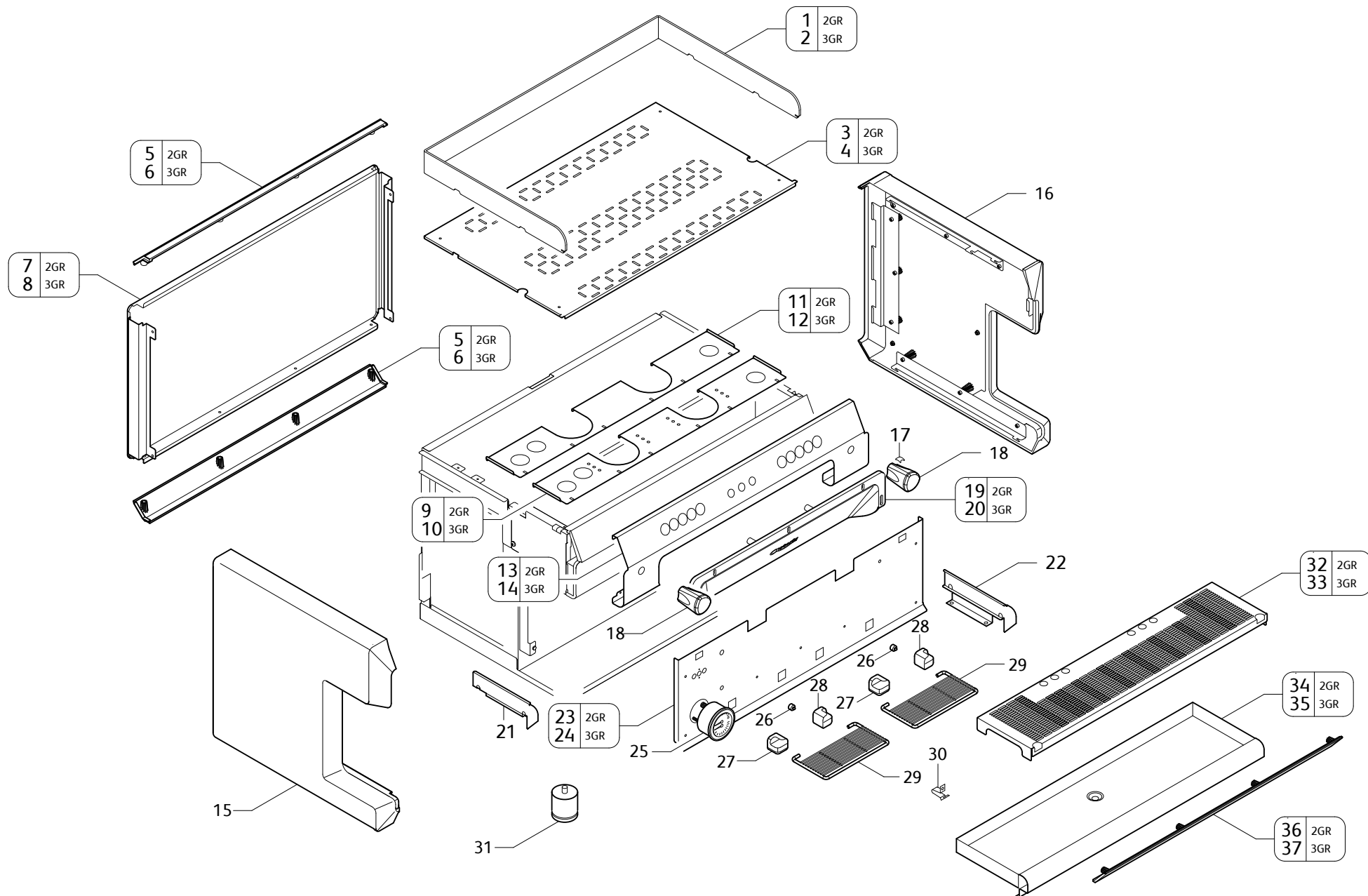
Parti di ricambio - Spare parts - Pieces detachees - Ersatzteilekatalog

Code	Description	Page	Rev.	Date
Carrozzeria - Body parts - Carrosserie - Karosserie				
C2-01	Bianco - White - Blanc - Weiss	2	01	10/2022
C2-02	Blu - Blue - Bleu - Blue	4	01	10/2022
C2-03	Nero - Black - Noir - Schwarz	6	01	10/2022
C2-11	Pulsantiera - Push buttons - Claviers - Bedienblenden	8	00	06/2019
Lancia - Tube - Tuyau - Rohr				
C2-21	Vapore - Steam - Vapeur - Dampf	10	00	06/2019
C2-22	Acqua - Water - Eau - Wasser	12	01	10/2022
C2-31	Gruppo - Group - Groupe - Gruppe	14	00	06/2019
Caldaia - Boiler - Chaudiere - Kessel				
C2-41	2GR	16	00	06/2019
C2-42	3GR	18	00	06/2019
Impianti idraulici - Hydraulic circuits - Circuits hydrauliques - Wasser anlage				
C2-51	2GR	20	01	10/2022
C2-52	3GR	23	01	10/2022
C2-61	Impianti elettrici - Electrical systems - Circuits electriques - Strom anlage	26	01	10/2022
C2-71	Motopompa - Motor pump - Motopompe - Motor pump	28	00	06/2019
C2-81	Filtri e portafiltri - Filters & filters holder - Filtres et porta filtres - Filter und filterhalter	30	00	06/2019



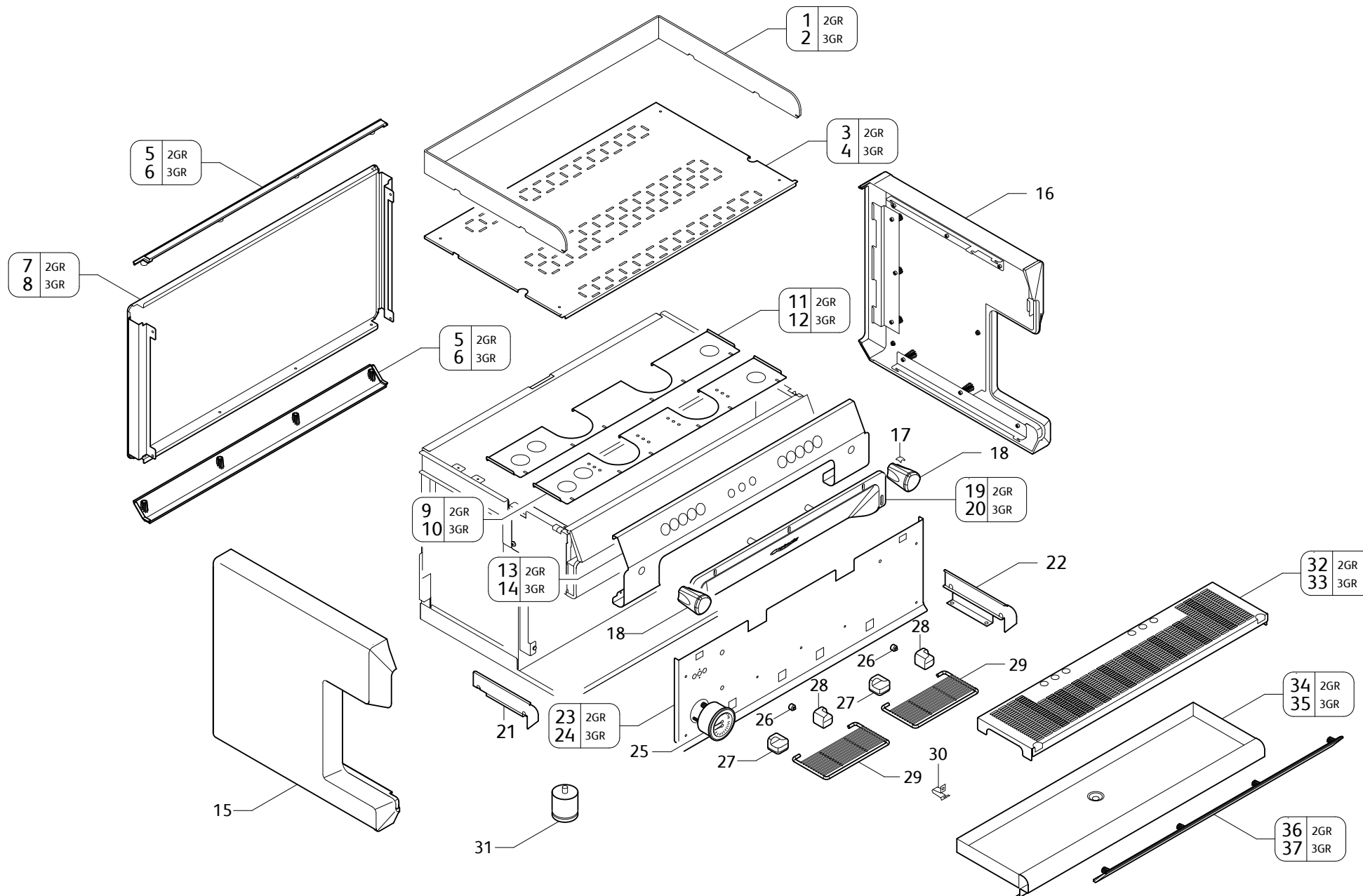
BIANCO - WHITE - BLANC - WEISS

Pos.	Code	Food	Descrizione - IT -	Description - EN -	Description - FR -	Beschreibung - DE -
1	21162455		PLEXIGLASS SUPERIORE 2GR	TOP PLEXIGLASS 2GR	PLEXIGLASS SUP. 2GR	PLEXIGLASS 2GR
2	21162456		PLEXIGLASS SUPERIORE 3GR	TOP PLEXIGLASS 3GR	PLEXIGLASS SUP. 3GR	PLEXIGLASS 3GR
3	76149145		GRIGLIA SUPERIORE 2GR	TOP BACK GRATE 2GR	GRILLE SUPERIEURE 2GR	OBERES HINTERES GITTER 2GR
4	76149146		GRIGLIA SUPERIORE 3GR	TOP BACK GRATE 3GR	GRILLE SUPERIEURE 3GR	OBERES HINTERES GITTER 3GR
5	75549349		PROF POST SUP/INF CARR 2GR CR2C BIANCO 9016 OPACO	PROF. POST. SUP/INF CARR. 2GR CR2C WHITE 9016	PROFILE SUP/INF. POST. 2GR BLANCHE	PROFIL OBERE / UNTERE 2GR WEISS
6	75549350		PROF POST SUP/INF CARR 3GR CR2C BIANCO 9016 OPACO	PROF. POST. SUP/INF CARR. 3GR CR2C WHITE 9016	PROFILE SUP/INF. POST. 3GR BLANCHE	PROFIL OBERE / UNTERE 3GR WEISS
7	75549334		PANN. POST. 2GR BIANCO 9016 OPACO	BACK PANEL 2GR WHITE 9016	PANNEAU POST. 2GR BLANC	RUCKWAND 2GR WEISS
8	75549335		PANN. POST. 3GR BIANCO 9016 OPACO	BACK PANEL 3GR WHITE 9016	PANNEAU POST. 3GR BLANCHE	RUCKWAND 3GR WEISS
9	77307022		COPRIMPIANTO 2GR INOX	CABLE COVER 2GR	COUVRE CABLAGE 2GR	VERDRAHTUNDECKEL 2GR
10	77307023		COPRIMPIANTO 3GR INOX	CABLE COVER 3GR	COUVRE CABLAGE 3GR	VERDRAHTUNDECKEL 3GR
11	77307033		COPRIMPIANTO 2GR CORE 200 INOX	CABLE COVER	COUVRE CABLAGE	VERDRAHTUNDECKEL
12	77307034		COPRIMPIANTO 3GR CORE 200 INOX	CABLE COVER	COUVRE CABLAGE	VERDRAHTUNDECKEL
13	70848088		FRONT 2GR SAE CR2C BIANCO 9016 OPACO SERIGRAFATO	FRONT PANEL SAE/2 WHITE	ENSEMBLE PANNEAU FRONTAL SAE/2 BLANCHE	STIRNTAFEL SAE/2 WEISS
14	70848089		FRONT 3GR SAE CR2C BIANCO 9016 OPACO SERIGRAFATO	FRONT PANEL SAE/3 WHITE	ENSEMBLE PANNEAU FRONTAL SAE/3 BLANCHE	STIRNTAFEL SAE/3 WEISS
15	56910543		FIANCO SX BIANCO 9016 OPACO	LEFT SIDE WHITE	COTE GAUCHE BLANC	LINKS SEITE WEISS
16	56910542		FIANCO DX BIANCO 9016 OPACO	RIGHT SIDE WHITE	COTE DROITE BLANC	RECHTE SEITE WEISS
17	10459		MOLLA INTERNA MANOPOLA	STEEL FLAT SPRING FOR KNOB	RESSORT POIGNEE	FEDER HANDGRIFF
18	8315278058R		KIT MANOPOLA	KNOB	POIGNEE	HAHGRIFF
19	15029322		PLEXIGLASS CRUSCOTTO 2 GRUPPI DIGIT CR2C	DASHBOARD PLEXIGLASS 2GR	TABEAU DE BORD PLEXIGLASS 2GR	PLEXIGLAS ARMATURENBRETT 2GR
20	15029323		PLEXIGLASS CRUSCOTTO 3 GRUPPI DIGIT CR2C	DASHBOARD PLEXIGLASS 3GR	TABEAU DE BORD PLEXIGLASS 3GR	PLEXIGLAS ARMATURENBRETT 3GR
21	77742037		GUIDA BACINELLA SINISTRA	LEFT TRAY GUIDE	GUIDE GAUCHE BASSINELLE	SCHIENE LINKE BECKEN
22	77742036		GUIDA BACINELLA DESTRA	RIGHT TRAY GUIDE	GUIDE DROITE BASSINELLE	SCHIENE RECHTE BECKEN
23	77062092		COPRICALDAIA 2GR/RIA INOX/LUC	BOILER COVER 2GR	COUVRE CHAUDIERE 2GR	KESSELDECKEL 2GR
24	77062093		COPRICALDAIA 3GR/RIA INOX/LUC	BOILER COVER 3GR	COUVRE CHAUDIERE 3GR	KESSELDECKEL 3GR
25	4621115005	●	MANOMETRO TONDO DOPPIA SCALA	PRESSURE GAUGE	MANOMETRE	MANOMETER
26	25006008		PERNO BLOCCO GRIGLIA A RIBALTA	GRID LOCK PIN FLAP	PIVOT DE BLOC POUR GRILLE	TURANGEL FUR BLOCK-GITTER
27	25006007		ASS.BLOCCHETTO A SFERA SINISTRO	LEFT GRID BLOCK	BLOC DE GRILLE GAUCHE	LINKEN KUGELRASTUNG
28	25006006		ASS.BLOCCHETTO A SFERA DESTRO	RIGHT GRID BLOCK	BLOC DE GRILLE DROITE	RECHTS KUGELRASTUNG
29	76149093		GRIGLIA RIALZO TAZZE FILO SALDATO	CUPS-STAND FOR RAISED GROUP	GRILLE POUR GROUPES REHAISSES	GITTER FUER HOHE GRUPPE
30	10471		MOLLA FERMA BACINELLA	TRAY STOP SPRING	RESSORT ARRET BAC	FEDER F. BECKENBEFESTIGUNG
31	15318		PIEDINO REGOLABILE INOX/SAT H55/69	ADJUSTABLE FOOT H55/69	PIED REGLABLE H55/69	REGELBARER FUSS H55/69
32	76149148		GRIGLIA BACINELLA 2GR	GRILL TRAY 2GR	PLATEAU DE GRILLADES 2GR	GRILLSCHALLE 2GR
33	76149142		GRIGLIA BACINELLA 3GR	GRILL TRAY 3GR	PLATEAU DE GRILLADES 3GR	GRILLSCHALLE 3GR
34	76080108		BACINELLA SCARICO 2GR	BASIN 2GR	BASSIN 2GR	BECKEN 2GR
35	76080109		BACINELLA SCARICO 3GR	BASIN 3GR	BASSIN 3GR	BECKEN 3GR
36	75549346		PROF ANT BACINELLA 2GR CR2C BIANCO 9016 OPACO	FRONT PROFILE BASIN 2GR WHITE	PROFIL DE BASSIN 2GR BLANCHE	FRONTPROFIL BECKEN 2GR WEISS
37	75549347		PROF ANT BACINELLA 3GR CR2C BIANCO 9016 OPACO	FRONT PROFILE BASIN 3GR WHITE	PROFIL DE BASSIN 3GR BLANCHE	FRONTPROFIL BECKEN 3GR WEISS



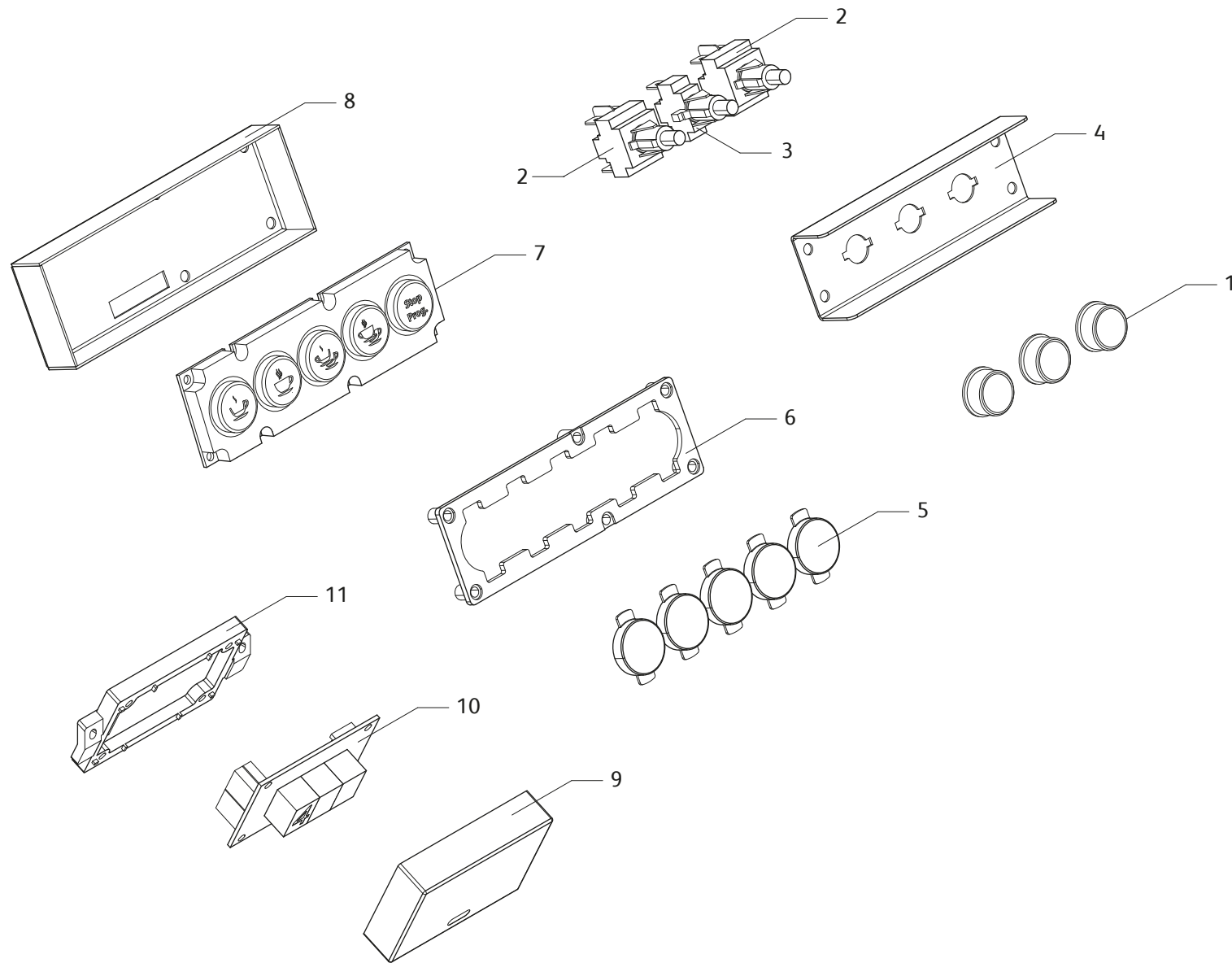
BLU - BLUE - BLEU - BLUE

Pos.	Code	Food	Descrizione - IT -	Description - EN -	Description - FR -	Beschreibung - DE -
1	21162455		PLEXIGLASS SUPERIORE 2GR	TOP PLEXIGLASS 2GR	PLEXIGLASS SUP. 2GR	PLEXIGLASS 2GR
2	21162456		PLEXIGLASS SUPERIORE 3GR	TOP PLEXIGLASS 3GR	PLEXIGLASS SUP. 3GR	PLEXIGLASS 3GR
3	76149145		GRIGLIA SUPERIORE 2GR	TOP BACK GRATE 2GR	GRILLE SUPERIEURE 2GR	OBERES HINTERES GITTER 2GR
4	76149146		GRIGLIA SUPERIORE 3GR	TOP BACK GRATE 3GR	GRILLE SUPERIEURE 3GR	OBERES HINTERES GITTER 3GR
5	75549355		PROF POST SUP/INF CARR 2GR CR2C BLU BRISBANE	PROFILE SUP/INF. POST. 2GR BLUE	PROFILE SUP/INF. POST. 2GR BLEU	PROFIL OBERE / UNTERE 2GR BLAU
6	75549356		PROF POST SUP/INF CARR 3GR CR2C BLU BRISBANE	PROFILE SUP/INF. POST. 3GR BLUE	PROFILE SUP/INF. POST. 3GR BLEU	PROFIL OBERE / UNTERE 3GR BLAU
7	75549325		PANNELLO POSTERIORE 2GR BLU BRISBANE	BACK PANEL 2GR BLU BRISBANE	PANNEAU POST. 2GR BLEU	RUCKWAND 2GR BLUE
8	75549326		PANNELLO POSTERIORE 3GR BLU BRISBANE	BACK PANEL 3GR BLU BRISBANE	PANNEAU POST. 3GR BLEU	RUCKWAND 3GR BLUE
9	77307022		COPRIMPIANTO 2GR INOX	CABLE COVER 2GR	COUVRE CABLAGE 2GR	VERDRAHTUNDECKEL 2GR
10	77307023		COPRIMPIANTO 3GR INOX	CABLE COVER 3GR	COUVRE CABLAGE 3GR	VERDRAHTUNDECKEL 3GR
11	77307033		COPRIMPIANTO 2GR CORE 200 INOX	CABLE COVER	COUVRE CABLAGE	VERDRAHTUNDECKEL
12	77307034		COPRIMPIANTO 3GR CORE 200 INOX	CABLE COVER	COUVRE CABLAGE	VERDRAHTUNDECKEL
13	70848104		FRONT 2GR SAE CR2C BLU BRISBANE SERIGRAFATO	FRONT PANEL SAE/2 BLU BRISBANE	ENSEMBLE PANNEAU FRONTAL SAE/2 BLEU	STIRNTAFEL SAE/2 BLAU
14	70848105		FRONT 3GR SAE CR2C BLU BRISBANE SERIGRAFATO	FRONT PANEL SAE/3 BLU BRISBANE	ENSEMBLE PANNEAU FRONTAL SAE/3 BLEU	STIRNTAFEL SAE/3 BLAU
15	56910541		FIANCO SX BLU BRISBANE	LEFT SIDE BLU	COTE GAUCHE BLEU	LINKS SEITE BLUE
16	56910540		FIANCO DX BLU BRISBANE	RIGHT SIDE BLU	COTE DROITE BLEU	RECHT SEITE BLUE
17	10459		MOLLA INTERNA MANOPOLA	STEEL FLAT SPRING FOR KNOB	RESSORT POIGNEE	FEDER HANDGRIFF
18	8315278058R		KIT MANOPOLA	KNOB	POIGNEE	HAHGRIFF
19	15029322		PLEXIGLASS CRUSCOTTO 2 GRUPPI DIGIT CR2C	DASHBOARD PLEXIGLASS 2GR	TABEAU DE BORD PLEXIGLASS 2GR	PLEXIGLAS ARMATURENBRETT 2GR
20	15029323		PLEXIGLASS CRUSCOTTO 3 GRUPPI DIGIT CR2C	DASHBOARD PLEXIGLASS 3GR	TABEAU DE BORD PLEXIGLASS 3GR	PLEXIGLAS ARMATURENBRETT 3GR
21	77742037		GUIDA BACINELLA SINISTRA	LEFT TRAY GUIDE	GUIDE GAUCHE BASSINELLE	SCHIENE LINKE BECKEN
22	77742036		GUIDA BACINELLA DESTRA	RIGHT TRAY GUIDE	GUIDE DROITE BASSINELLE	SCHIENE RECHTE BECKEN
23	77062092		COPRICALDAIA 2GR/RIA INOX/LUC	BOILER COVER 2GR	COUVRE CHAUDIERE 2GR	KESSELDECKEL 2GR
24	77062093		COPRICALDAIA 3GR/RIA INOX/LUC	BOILER COVER 3GR	COUVRE CHAUDIERE 3GR	KESSELDECKEL 3GR
25	4621115005	●	MANOMETRO TONDO DOPPIA SCALA	PRESSURE GAUGE	MANOMETRE	MANOMETER
26	25006008		PERNO BLOCCO GRIGLIA A RIBALTA	GRID LOCK PIN FLAP	PIVOT DE BLOC POUR GRILLE	TURANGEL FUR BLOCK-GITTER
27	25006007		ASS.BLOCCHETTO A SFERA SINISTRO	LEFT GRID BLOCK	BLOC DE GRILLE GAUCHE	LINKEN KUGELRASTUNG
28	25006006		ASS.BLOCCHETTO A SFERA DESTRO	RIGHT GRID BLOCK	BLOC DE GRILLE DROITE	RECHTS KUGELRASTUNG
29	76149093		GRIGLIA RIALZO TAZZE FILO SALDATO	CUPS-STAND FOR RAISED GROUP	GRILLE POUR GROUPES REHAISSES	GITTER FUER HOHE GRUPPE
30	10471		MOLLA FERMA BACINELLA	TRAY STOP SPRING	RESSORT ARRET BAC	FEDER F. BECKENBEFESTIGUNG
31	15318		PIEDINO REGOLABILE INOX/SAT H55/69	ADJUSTABLE FOOT H55/69	PIED REGLABLE H55/69	REGELBARER FUSS H55/69
32	76149148		GRIGLIA BACINELLA 2GR	GRILL TRAY 2GR	PLATEAU DE GRILLADES 2GR	GRILLSCHALLE 2GR
33	76149142		GRIGLIA BACINELLA 3GR	GRILL TRAY 3GR	PLATEAU DE GRILLADES 3GR	GRILLSCHALLE 3GR
34	76080108		BACINELLA SCARICO 2GR	BASIN 2GR	BASSIN 2GR	BECKEN 2GR
35	76080109		BACINELLA SCARICO 3GR	BASIN 3GR	BASSIN 3GR	BECKEN 3GR
36	75549352		PROF ANT BACINELLA 2GR CR2C BLU BRISBANE	FRONT PROFILE BASIN 2GR BLU	PROFIL DE BASSIN 2GR BLEU	FRONTPROFIL BECKEN 2GR BLAU
37	75549353		PROF ANT BACINELLA 3GR CR2C BLU BRISBANE	FRONT PROFILE BASIN 3GR BLU	PROFIL DE BASSIN 3GR BLEU	FRONTPROFIL BECKEN 3GR BLAU

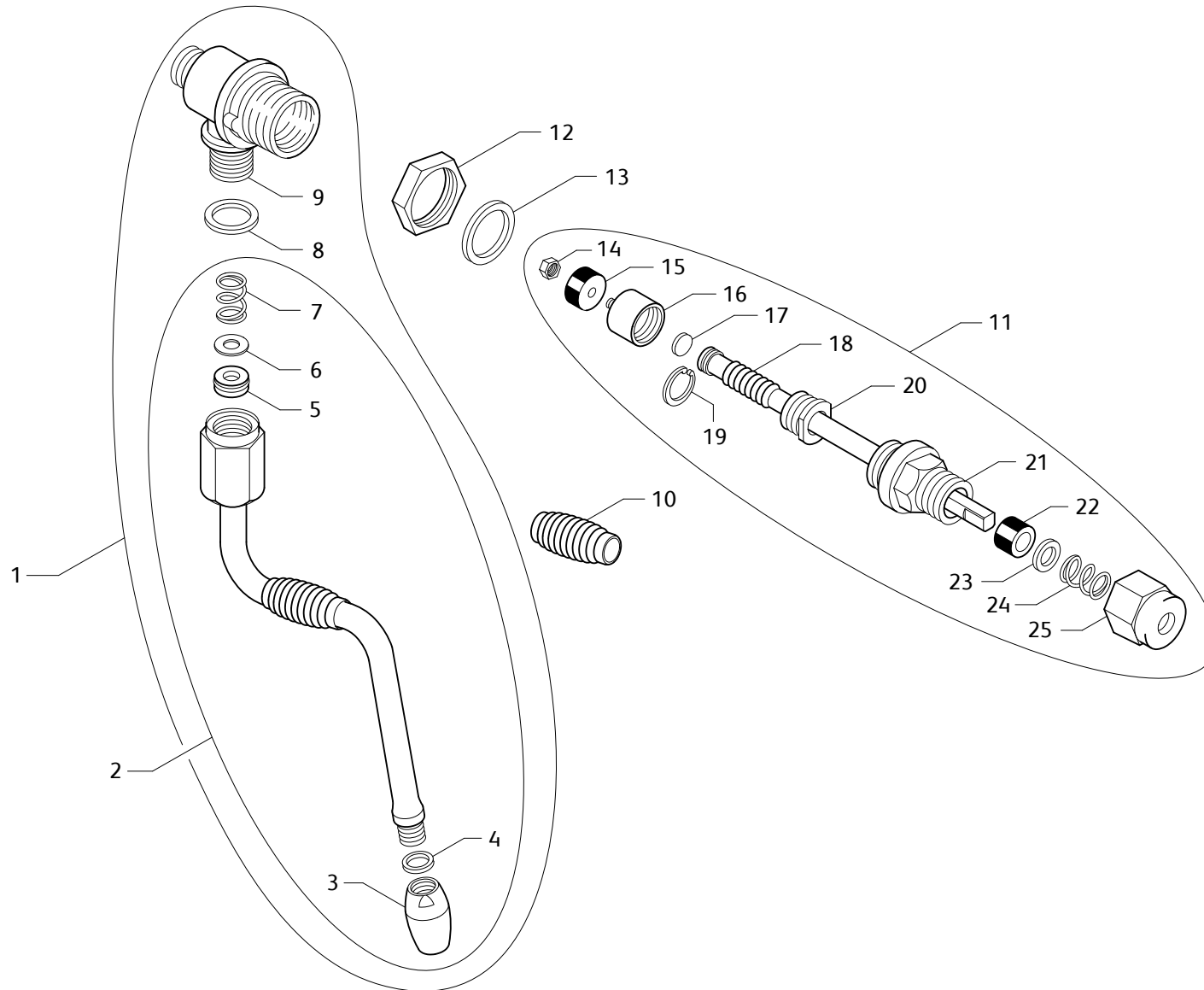


NERO - BLACK - NOIR - SCHWARZ

Pos.	Code	Food	Descrizione - IT -	Description - EN -	Description - FR -	Beschreibung - DE -
1	21162455		PLEXIGLASS SUPERIORE 2GR	TOP PLEXIGLASS 2GR	PLEXIGLASS SUP. 2GR	PLEXIGLASS 2GR
2	21162456		PLEXIGLASS SUPERIORE 3GR	TOP PLEXIGLASS 3GR	PLEXIGLASS SUP. 3GR	PLEXIGLASS 3GR
3	76149145		GRIGLIA SUPERIORE 2GR	TOP BACK GRATE 2GR	GRILLE SUPERIEURE 2GR	OBERES HINTERES GITTER 2GR
4	76149146		GRIGLIA SUPERIORE 3GR	TOP BACK GRATE 3GR	GRILLE SUPERIEURE 3GR	OBERES HINTERES GITTER 3GR
5	75549343		PROF POST SUP/INF CARR 2GR CR2C NERO LUCIDO	PROFILE SUP/INF. POST. 2GR BLACK	PROFILE SUP/INF. POST. 2GR NOIR	PROFIL OBERE / UNTERE 2GR SCHWARZ
6	75549344		PROF POST SUP/INF CARR 3GR CR2C NERO LUCIDO	PROFILE SUP/INF. POST. 3GR BLACK	PROFILE SUP/INF. POST. 3GR NOIR	PROFIL OBERE / UNTERE 3GR SCHWARZ
7	75549337		PANN POST 2GR CR2C NERO EXTRA	BACK PANEL 2GR BLACK	PANNEAU POST. 2GR NOIR	RUCKWAND 2GR SCHWARZ
8	75549338		PANN POST 3GR CR2C NERO EXTRA	BACK PANEL 3GR BLACK	PANNEAU POST. 3GR NOIR	RUCKWAND 3GR SCHWARZ
9	77307022		COPRIMPIANTO 2GR INOX	CABLE COVER 2GR	COUVRE CABLAGE 2GR	VERDRAHTUNDECKEL 2GR
10	77307023		COPRIMPIANTO 3GR INOX	CABLE COVER 3GR	COUVRE CABLAGE 3GR	VERDRAHTUNDECKEL 3GR
11	77307033		COPRIMPIANTO 2GR CORE 200 INOX	CABLE COVER	COUVRE CABLAGE	VERDRAHTUNDECKEL
12	77307034		COPRIMPIANTO 3GR CORE 200 INOX	CABLE COVER	COUVRE CABLAGE	VERDRAHTUNDECKEL
13	70848096		FRONT 2GR SAE CR2C NERO LUCIDO SERIGRAFATO	FRONT PANEL SAE/2 BLACK	ENSEMBLE PANNEAU FRONTAL SAE/2 NOIR	STIRNTAFEL SAE/2 SCHWARZ
14	70848097		FRONT 3GR SAE CR2C NERO LUCIDO SERIGRAFATO	FRONT PANEL SAE/3 BLACK	ENSEMBLE PANNEAU FRONTAL SAE/3 NOIR	STIRNTAFEL SAE/3 SCHWARZ
15	56910545		FIANCO SX NERO LUCIDO	LEFT SIDE BLACK	COTE GAUCHE NOIR	LINKS SEITE SCHWARZ
16	56910544		FIANCO DX NERO LUCIDO	RIGHT SIDE BLACK	COTE DROITE NOIR	RECHT SEITE SCHWARZ
17	10459		MOLLA INTERNA MANOPOLA	STEEL FLAT SPRING FOR KNOB	RESSORT POIGNEE	FEDER HANDGRIFF
18	8315278058R		KIT MANOPOLA	KNOB	POIGNEE	HAHGRIFF
19	15029322		PLEXIGLASS CRUSCOTTO 2 GRUPPI DIGIT CR2C	DASHBOARD PLEXIGLASS 2GR	TABLEAU DE BORD PLEXIGLASS 2GR	PLEXIGLAS ARMATURENBRETT 2GR
20	15029323		PLEXIGLASS CRUSCOTTO 3 GRUPPI DIGIT CR2C	DASHBOARD PLEXIGLASS 3GR	TABLEAU DE BORD PLEXIGLASS 3GR	PLEXIGLAS ARMATURENBRETT 3GR
21	77742037		GUIDA BACINELLA SINISTRA	LEFT TRAY GUIDE	GUIDE GAUCHE BASSINELLE	SCHIENE LINKE BECKEN
22	77742036		GUIDA BACINELLA DESTRA	RIGHT TRAY GUIDE	GUIDE DROITE BASSINELLE	SCHIENE RECHTE BECKEN
23	77062092		COPRICALDAIA 2GR/RIA INOX/LUC	BOILER COVER 2GR	COUVRE CHAUDIERE 2GR	KESSELDECKEL 2GR
24	77062093		COPRICALDAIA 3GR/RIA INOX/LUC	BOILER COVER 3GR	COUVRE CHAUDIERE 3GR	KESSELDECKEL 3GR
25	4621115005	●	MANOMETRO TONDO DOPPIA SCALA	PRESSURE GAUGE	MANOMETRE	MANOMETER
26	25006008		PERNO BLOCCO GRIGLIA A RIBALTA	GRID LOCK PIN FLAP	PIVOT DE BLOC POUR GRILLE	TURANGEL FUR BLOCK-GITTER
27	25006007		ASS.BLOCCHETTO A SFERA SINISTRO	LEFT GRID BLOCK	BLOC DE GRILLE GAUCHE	LINKEN KUGELRASTUNG
28	25006006		ASS.BLOCCHETTO A SFERA DESTRO	RIGHT GRID BLOCK	BLOC DE GRILLE DROITE	RECHTS KUGELRASTUNG
29	76149093		GRIGLIA RIALZO TAZZE FILO SALDATO	CUPS-STAND FOR RAISED GROUP	GRILLE POUR GROUPES REHAISSES	GITTER FUER HOHE GRUPPE
30	10471		MOLLA FERMA BACINELLA	TRAY STOP SPRING	RESSORT ARRET BAC	FEDER F. BECKENBEFESTIGUNG
31	15318		PIEDINO REGOLABILE INOX/SAT H55/69	ADJUSTABLE FOOT H55/69	PIED REGLABLE H55/69	REGELBARER FUSS H55/69
32	76149148		GRIGLIA BACINELLA 2GR	GRILL TRAY 2GR	PLATEAU DE GRILLES 2GR	GRILLSCHALLE 2GR
33	76149142		GRIGLIA BACINELLA 3GR	GRILL TRAY 3GR	PLATEAU DE GRILLES 3GR	GRILLSCHALLE 3GR
34	76080108		BACINELLA SCARICO 2GR	BASIN 2GR	BASSIN 2GR	BECKEN 2GR
35	76080109		BACINELLA SCARICO 3GR	BASIN 3GR	BASSIN 3GR	BECKEN 3GR
36	75549340		PROF ANT BACINELLA 2GR CR2C NERO LUCIDO	FRONT PROFILE BASIN 2GR BLACK	PROFIL DE BASSIN 2GR NOIR	FRONTPROFIL BECKEN 2GR SCHWARZ
37	75549341		PROF ANT BACINELLA 3GR CR2C NERO LUCIDO	FRONT PROFILE BASIN 3GR BLACK	PROFIL DE BASSIN 3GR NOIR	FRONTPROFIL BECKEN 3GR SCHWARZ

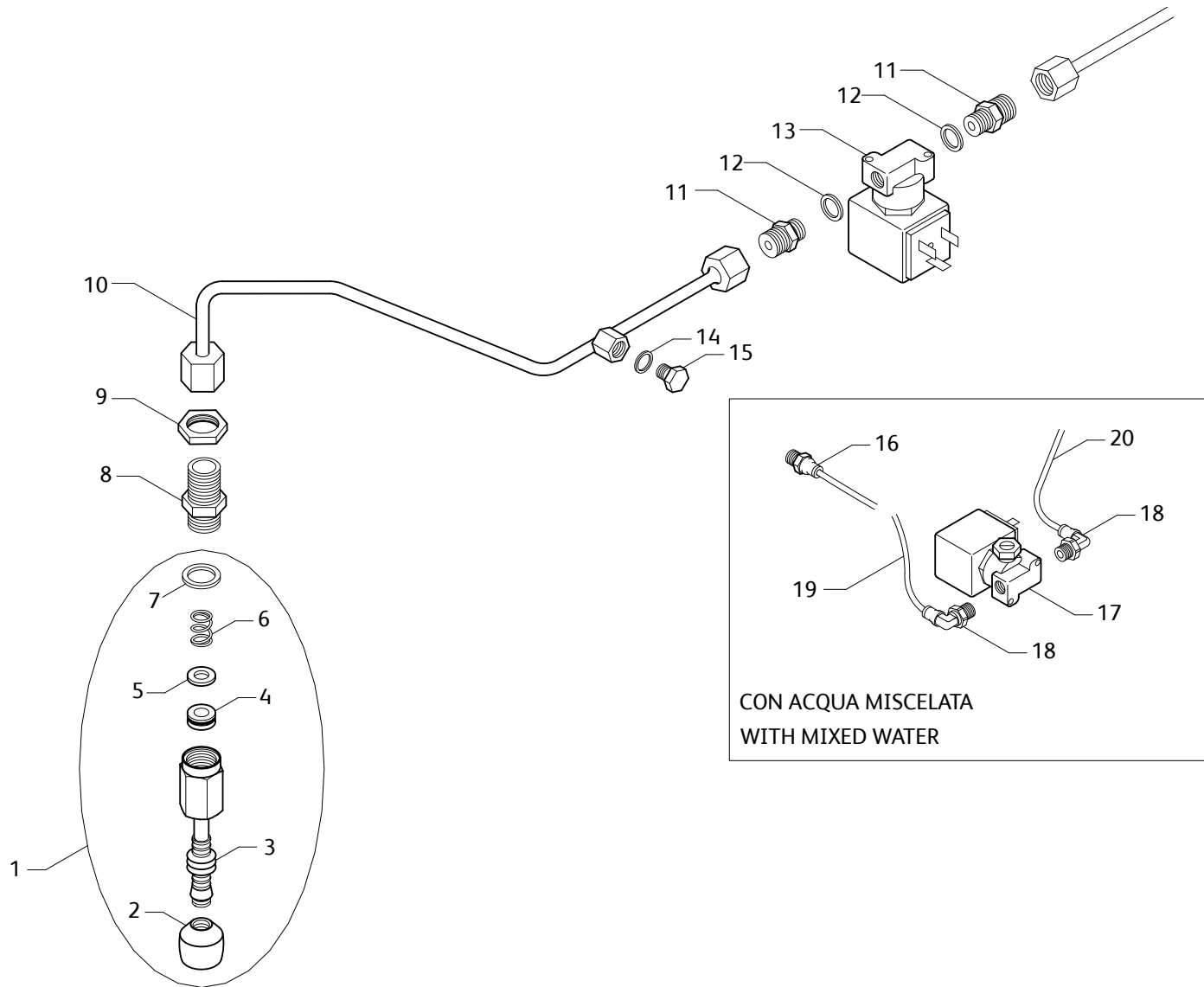


Pos.	Code	Food	Descrizione - IT -	Description - EN -	Description - FR -	Beschreibung - DE -
1	15373067		TASTO PULSANTIERE MECCANICHE	BLACK CHROMED KEY	TOUCHE CHROME NOIR	SCHWARZ CHROM TASTE
2	18371057		INTERRUTTORE BIPOLARE 10 PZ	TWO POLE SWITCH 10 PCS	INTERRUPTEUR BIPOLAIRE 10 PCS	ZWEIPOLIGER SCHALTER 10 ST
3	18371058		PULSANTE UNIPOLARE	SINGLE POLE PUSHBUTTON	BOUTON-POUSSOIR UNIPOLAIRE	EINPOLIGER TASTER
4	77607253		PIASTRINA SUPPORTO INTERRUTTORI INOX	SWITCH SUPPORT PLATE	PLAQUE DE SUPPORT DE COMMUTATEUR	SCHALTERHALTERPLATTE
5	15029325		TASTO PULSANTIERA CR2C	KEY COVER	COUVERTURE CLÉ	SCHLÜSSEL
6	15029324		DISTANZIALE PULSANTIERA	SPACER	ENTRETOISE	DISTANZSTÜCK
7	18371260		PULSANTIERA 5 TASTI	TOUCH PAD 5 KEYS	CLAVIER 5 BOUTONS	GEDRUCKTER SCHALTKREIS TASTATUREN 5T
8	77607251		PROTEZIONE PULSANTIERA INOX	BOX PUSH BUTTON	BOITIER CLAVIER	GEHAUSE F.TASTENWAHLSCHALTER
9	15700053		SCATOLA PROTEZIONE DIGIT CRONO 3 CARATTERI	BOX DIGIT CRONO	BOITIER AFFICHAGE	DISPLAY-SCHUTZKASTEN
10	18090296		DISPLAY DIGIT 3 CARATTERI	DISPLAY DIGIT 3 CHARACTERS	AFFICHAGE NUMERIQUE 3 CARACTERES	ANZEIGE DIGIT 3 ZEICHEN
11	15700054		COPERCHIO SCATOLA PROTEZIONE DIGIT CRONO 3 CARATTERI	COVER PROTECTION DISPLAY BOX	COUVERCLE DE BOITE D'AFFICHAGE	ABDECKUNG DES DISPLAYBOX



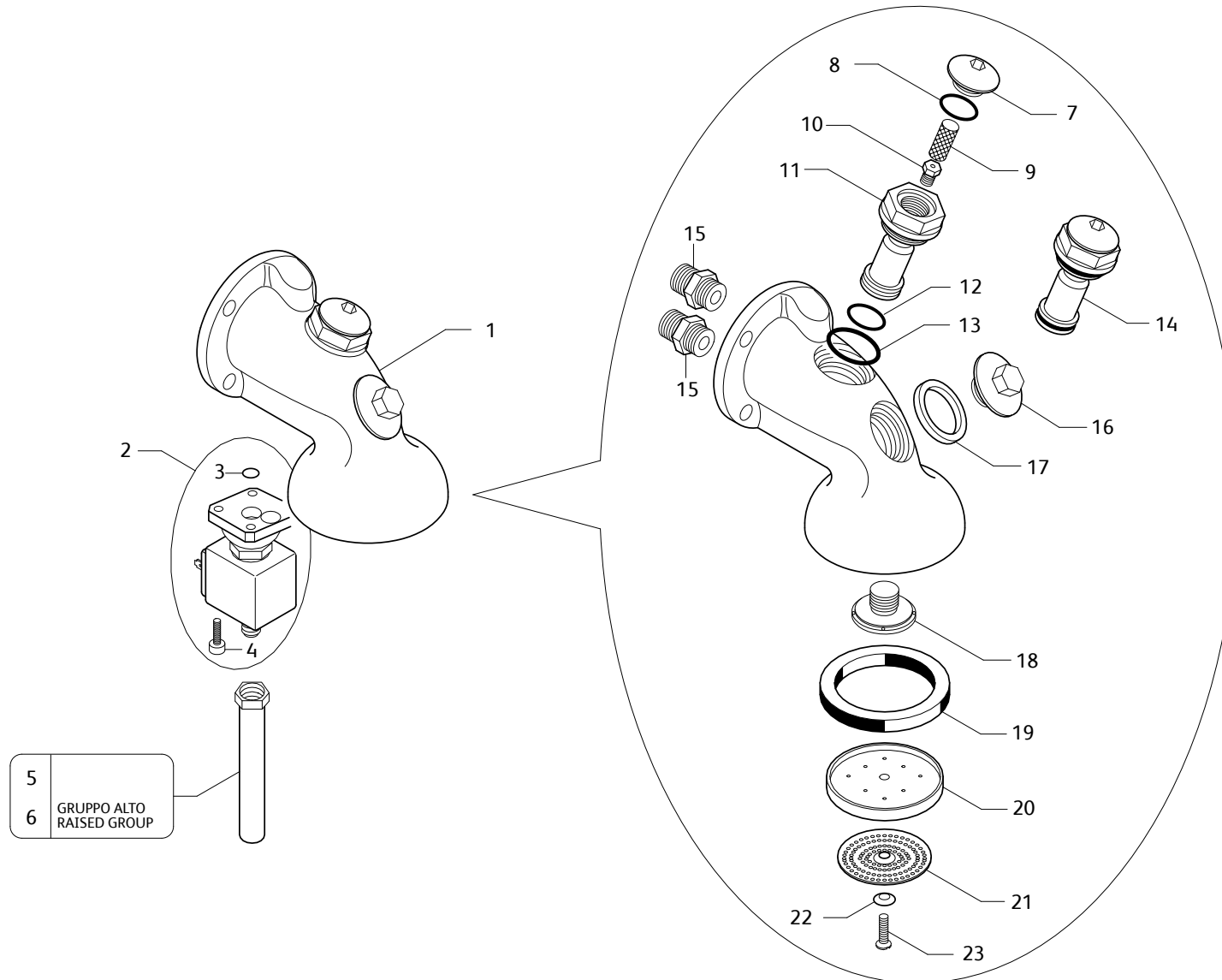
VAPORE - STEAM - VAPEUR - DAMPF

Pos.	Code	Food	Descrizione - IT -	Description - EN -	Description - FR -	Beschreibung - DE -
1	4925763302	●	ASS.TUBO VAPORE INOX	STEAM PIPE ASSEMBLY S.STEEL	TUYAU VAPEUR INOX	DAMPFROHRSATZ STAHL
2	25763009	●	TUBO VAPORE INOX D.10	STEAM PIPE ASSEMBLY D-10	TUYAU VAPEUR D-10	DAMPFROHRSATZ D-10
3	25763074	●	SPRUZZATORE VAPORE INOX TUBO D.10 4 FORI	S.STEEL STEAM SPRAYER D.10 4 HOLES	PULVERISATEUR VAPEUR D.10 4 FORI	INNENSPRITZDUSE D.10 4 FORI
4	12662	●	GUARNIZIONE ALL.SPRUZZATORE VAP.INOX D.10	ALUM.SEAL FOR ST.STEEL STEAM	JOINT ALU GICLEUR VAP. INOX D.10	ALUMINIUMDICHT.DAMPFSTR.EDELSTAHL D.10
5	12661	●	GUARNIZIONE OR CON LUNETTA P.MOLLA 10 PZ	OR REST FOR ST.STEEL STEAM PIPE 10 PCS	OR LUNETTE P.RESSORT TUYAU VAP. INOX 10 PCES	HALBE OR-DICHT.F.FEDER DAMPFROHR ED 10 ST
6	23260018	●	RONDELLA ELASTICA D-14,2 Sp.1	WASHER D-14,2	RONDELLE D-14,2	SCHEIBE D-14,2
7	10465001	●	MOLLA De 11,4 Df1,7 AISI 302	STEAM SPRING S.STEEL	RESSORT AISI	DAMPF HAHNFEDEN STAHL
8	12010	●	GUARNIZIONE TEFLON ACQUA/VAPORE 20x17x2 10 PZ	PIPE GASKET TEFLON 20x17x2 10 PCS	JOINT TUYAU TEFLON EAU/VAP 20x17x2 10 PCES	TEFLON-DICHTUNG WASSER/VAP 20x17x2 10 ST
9	4953003	●	CORPO RUBINETTO	TAP BODY	CORPS DE ROBINET	HAHNKORPER
10	15296001		GOMMINO ANTISCOTTAURA D.10	ANTI-BURNING RUBBER D10	ELEMENT ANTI-BRULURE D10	GUMMI GEGEN VERBRENNUNGEN D.10
11	4956105011	●	RUBINETTO AP/SX ROTAZIONE LIMITATA	LIMITED ROTATION TAP	ROBINET	HAHN STAB
12	25384		DADO OTTONE M26x1.5	BRASS NUT 26X1.5	ECROU LAITON 26X1.5	MESSING-MUTTER 26X1.5
13	12158	●	GUARNIZIONE 26x20.5x2	GASKET 26x20.5x2	JOINT 26x20.5x2	DICHTUNG 26x20.5x2
14	23029	●	DADO INOX M3	STEEL NUT M3	ECROU INOX M3	STHAL MUTTER M3
15	12203	●	GUARNIZIONE HNBR 15x4x4 10 PZ	RUBBER GASKET 15x4x4 10 PCS	JOINT EN CAOUTCHOUC 15X4X4 10 PCES	GUMMIDICHTUNG 15x4x4 10 ST
16	4925616	●	PISTONCINO RUBINETTO	TAP JUMPER	PISTON ROBINET	HAHNKOLBEN
17	25655052	●	DISCHETTO ASTA RUBINETTO	DISKETTE TAP ROS	DISQUETTE TIGE ROBINET	DISKETTE
18	4625312003		ASTA RUB CROMATA CORSA RIDOTTA L109 DE CW510L	TAP TUBE	ROBINET TUYAU	HAHN STAB
19	10001	●	ANELLO ARRESTO D6 INOX	STEEL CIRCLIP	CIRCLIP INOX	STAHLHALTENRING
20	4925461	●	GHIERA RUBINETTO	TAP RING NUT	EMBOUT ROBINET	HAHNZWINGE
21	4925678001	●	RACCORDO RUBINETTO	TAP FITTING	RACCORD ROBINET	HAHNANSCHLUSSTUCK
22	12204	●	GUARNIZIONE GOMMA RUBINETTO 12.5x7.5x9 10 PZ	TAP RUBBER GASKET 12.5x7.5x9 10 PCS	JOINT CAOUTCHOUC ROB. 12.5X7.5X9 10 PCES	HAHNDICHTUNG 12.5x7.5x9 10 ST
23	25655		RONDELLA RUBINETTO	TAP WASHER	RONDELLE ROBINET	HAHNSCHEIBE
24	10452	●	MOLLA RUBINETTO ACQUA/VAPORE N4	WATER/STEAM TAP SPRING N4	RESSORT DE ROBINET EAU-VAPEUR N4	WASSER/DAMPF HAHNFEDER N4
25	25385001		DADO PREMISTOPPA RUBINETTO	TAP STUFFING NUT	ECROU DE PRESSE-ETOUPE ROBINET	STOPFBUCHSE MUTTER - HAHN

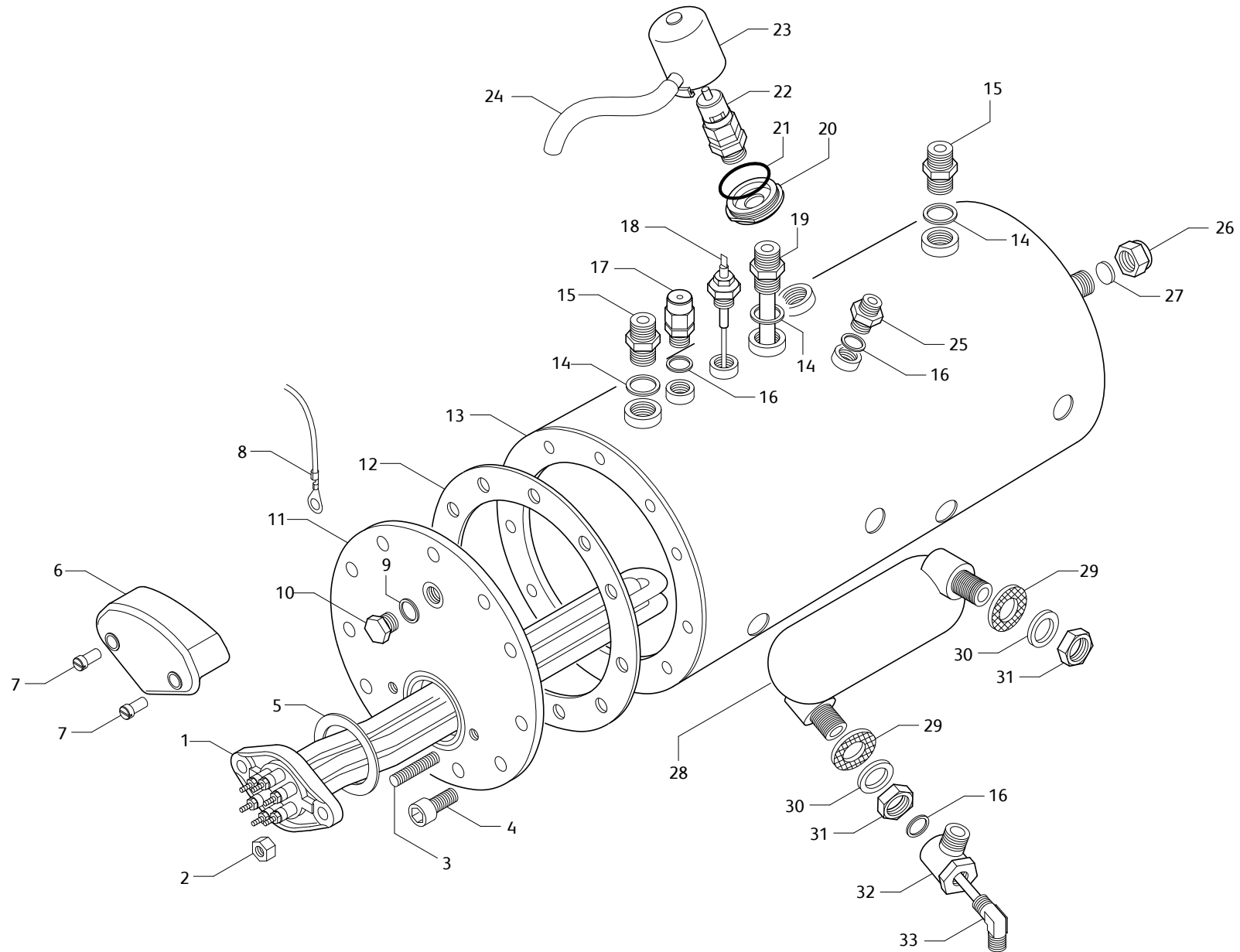


ACQUA - WATER - EAU - WASSER

Pos.	Code	Food	Descrizione - IT -	Description - EN -	Description - FR -	Beschreibung - DE -
1	25763185	●	TUBO ACQUA MOBILE INOX	WATER TAP UNIT	ENSEMBLE ROBINET EAU	WASSER ROHRSATZ
2	4725763142	●	SPRUZZATORE ACQUA INOX	EXTERNAL WATER NOZZLE	ATOMISEUR D'EAU EXTERIEUR	WASSERDUSE CHROM DAMPF
3	15296000		GOMMINO ANTISCOTTATURA D-8	ANTI-BURNING RUBBER D-8	ELEMENT ANTI-BRULURE D-8	GUMMI GEGEN VERBRENNUNGEN F. D-8
4	12661	●	GUARNIZIONE OR CON LUNETTA P.MOLLA 10 PZ	OR REST FOR ST.STEEL STEAM PIPE 10 PCS	OR LUNETTE P.RESSORT TUYAU VAP. INOX 10 PCES	HALBE OR-DICHT.F.FEDER DAMPFROHR ED 10 ST
5	23260018	●	RONDELLA ELASTICA D-14,2 Sp.1	WASHER D-14,2	RONDELLE D-14,2	SCHEIBE D-14,2
6	10452	●	MOLLA RUBINETTO ACQUA/VAPORE N4	WATER/STEAM TAP SPRING N4	RESSORT DE ROBINET EAU-VAPEUR N4	WASSER/DAMPF HAHNFEDER N4
7	12010	●	GUARNIZIONE TEFLON ACQUA/VAPORE 20x17x2 10 PZ	PIPE GASKET TEFLON 20x17x2 10 PCS	JOINT TUYAU TEFLON EAU/VAP 20x17x2 10 PCES	TEFLON-DICHTUNG WASSER/VAP 20x17x2 10 ST
8	4925681002	●	RACCORDO CANNA H2O/VAP	E22 H2O/STEAM TUBE FITTING	RACCORD CONDUIT H2O/VAP E22	SCHLAUCHANSCHLUSS H2O/DAMPF E22
9	25356		CONTRODADO OTTONE 3/8	BRASS LOCK NUT 3/8	CONTRE-ECROU LAITON 3/8	MESSING-GEGENMUTTER 3/8
10	4952000390	●	TUBO D-6 L.360	TUBE D-6 L.360	TUYAU D-6 L.360	ROHR D-6 L.360
11	4925707	●	RACCORDO 1/8x1/4	CONNECTOR 1/8x1/4	RACCORD 1/8x1/4	ANSCHLUSS 1/8x1/4
12	12156003	●	GU CU 1/8 SP2 14X10X2 35--55HV REV06/22	GASKET 1/8 SP2 14X10X2	JOINT 1/8 SP2 14X10X2	DICHTUNG 1/8 SP2 14X10X2
13	4918162005	●	ELETTROVALVOLA AEA 220-240V 50-60Hz VDE	SOL.VALVE WATER REFILL 220/240 50/60HZ VDE	ELECTROVANNE REA 220/240V 50/60Hz VDE	ELEKTROVENTIL AWZ 230/250 V 50/60 Hz VDE
14	4925787	●	TAPPO MASCHIO 1/8	MALE CAP 1/8	BOUCHON MALE 1/8	STOPFEN 1/8
15	4623229013	●	RACCORDO RAPIDO DRITTO 1/8M	QUICK COUPLING 1/8M D-4	RACCORD RAPIDE 1/8M D-4	STECKVERBINDUNG 1/8M D-4
16	4918161701	●	ELETTROVALVOLA REGOLAZ.PORTATA 220-240V/50-60Hz	SOL.VALVE 220-240V/50-60Hz	ELECTROVANNE 220-240V/50-60Hz	MAGNETVENTIL 220-240V/50-60Hz
17	4623229111	●	RACCORDO RAPIDO -L- 1/8M	QUICK COUPLING -L- 1/8M	RACCORD RAPIDE -L- 1/8M	STECKVERBINDUNG -L- 1/8M
18	15452078	●	TUBO PTFE D-2,54x2 L.185	TUBE PTFE D-2,5x4 L.185	TUYAU PTFE 2,5x4 L.185	ROHR PTEF 2,5x4 L.185
19	15452075	●	TUBO PTFE D-2,54x2 L.480	TUBE PTFE D-2,5x4 L.480	TUYAU PTFE 2,5x4 L.480	ROHR PTEF 2,5x4 L.480

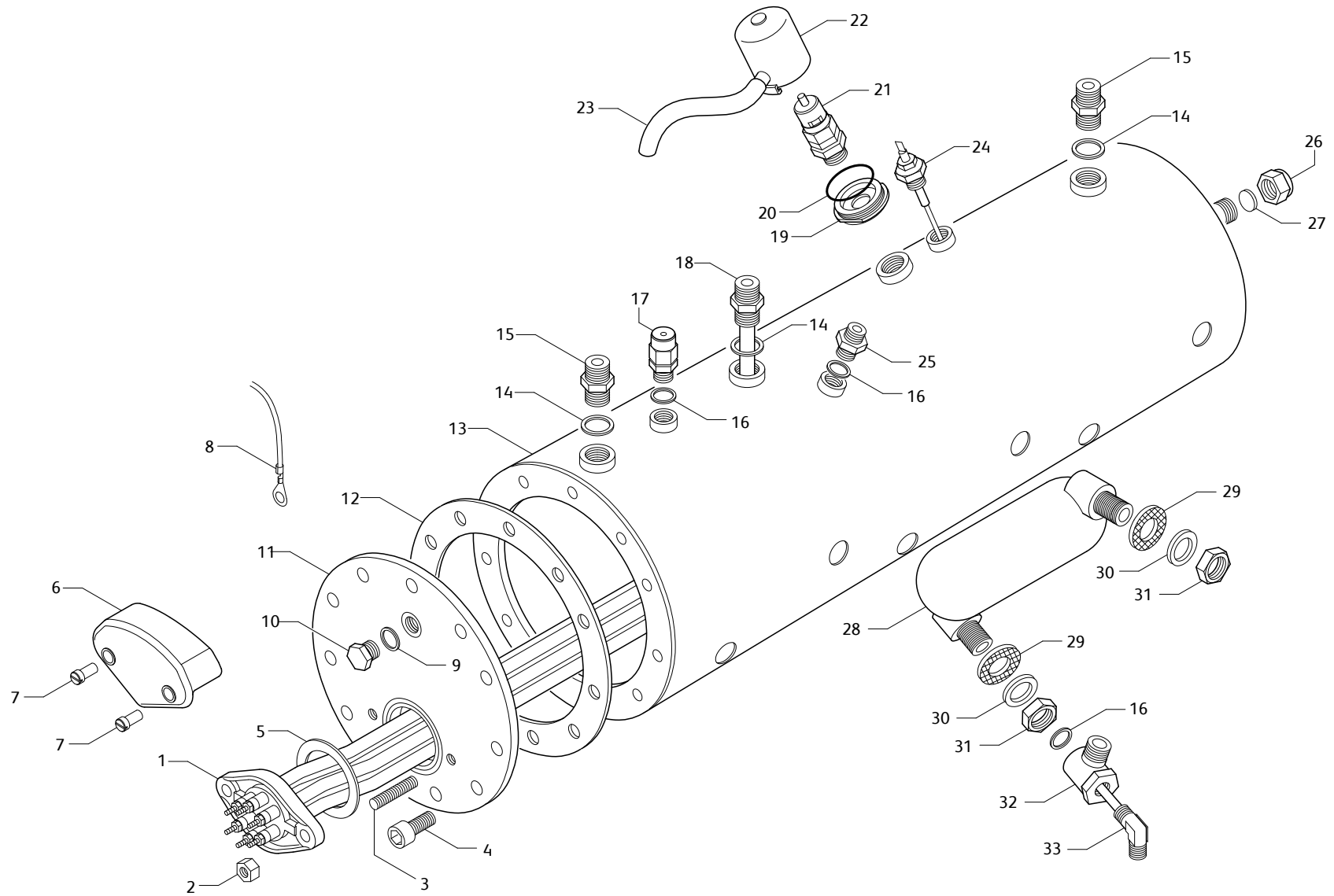


Pos.	Code	Food	Descrizione - IT -	Description - EN -	Description - FR -	Beschreibung - DE -
1	4956082106	●	GRUPPO CTS 2003 NEUTRO	NEUTRAL CTS GROUP 2003	GROUPE CTS 2003 NEUTRE	GRUPPE CTS 2003 NEUTRAL
2	834918151R	●	KIT ELETTROVALVOLA GRUPPO 230V	GROUP SOLENOID VALVE 230V KIT	KIT ELECTROVANNE GROUPE 230V	MAGNETVENTIL GRUPPE KIT 230V
3	12305	●	GUARNIZIONE OR	O RING	JOINT OR	O-RINGDICHT
4	23551		VITE TCEI INOX 4x12	STEEL SCREW TCCE 4x12	VIS INOX TCCE 4x12	STAHLSCHRAUBE TCCE 4x12
5	52000168	●	TUBO D-12 L.92	TUBE D-12 L.92	TUYAU D-12 L.92	ROHR D-12 L.92
6	52000194	●	TUBO D-12 L.132	TUBE D-12 L.132	TUYAU D-12 L.132	ROHR D-12 L.132
7	4825789306	●	TAPPO PORTA GIGLEUR GRUPPO CTS 03	CAP GROUP JET	BOUCHON GIGLEUR	STOPFEN EINSPRITZDUSE FUER GRUPPE
8	12336000	●	GUARNIZIONE ORM 0170-30	GASKET ORM 0170-30	JOINT ORM 0170-30	ORM DICHTUNG 0170-30
9	10253	●	FILTRO GIGLER	JET FILTER	FILTRE GIGLEUR	DUSE FILTER
10	4910300001	●	GIGLER OTT. x GRUPPO D 0.7	BRASS GROUP JET D 0.7	GIGLEUR LAITON POUR GROUPE D 0.7	VERMESSINGTE GRUPPENDUSE D 0.7
11	4925739502	●	PORTAGIGLER GRUPPO CTS	NOZZLE HOLDER GROUP CTS 03	PORTE-GIGLEUR GROUPE CTS 03	DUSEHALTER GRUPPE CTS 03
12	12300026	●	GUARNIZIONE OR 0123 17.86X2.62	O RING GASKET OR 0123 17.86X2.62	JOINT OR 0123 17.86X2.62	OR DICHTUNG 0123 17.86X2.62
13	12336001	●	GUARNIZIONE NBR Di25x4	GASKET NBR Di 25x4	JOINT NBR Di 25x4	DICHTUNG NBR Di 25x4
14	4856130001	●	ASSIEME PORTAGIGLER GRUPPO CTS 03	NOZZLE HOLDER GROUP CTS 03	PORTE-GIGLEUR GROUPE CTS 03	DUSEHALTER GRUPPE CTS 03R
15	4825687002	●	RACCORDO 3/8x3/8 GAS GRP CTS 03	CONNECTOR 3/8x3/8 CTS 03 UNIT	RACCORD 3/8x3/8 GR. CTS 03	ANSCHLUSS 3/8x3/8 CTS 03
16	4925789305	●	TAPPO CAMERA PREINFUSIONE	CAP GROUP	BOUCHON GROUPE	STOPFEN ABGABEGRUPPE
17	12012006	●	GUARNIZIONE TEFLON 33x28x4 GRUPPO CTS 03	GASKET TEFLON 33x28x4 GROUP CTS 03	JOINT TEFLON 33x28x4 GROUPE CTS 03	TEFLON DICHTUNG 33x28x4 GRUPPE CTS 03
18	4825422008	●	DIFFUSORE GRUPPO CTS	GROUP DIFFUSER	DIFFUSEUR GROUPE	GRUPPE VERTEILER
19	12215	●	GUARN.GOMMA S.COPPA 72x56x8.5 MAGGIOR. 10 PZ	LARGER SIZED FILTER SUPPORT RUBBER 10 PCS	JOINT CAOUTCHOU SOUCOUPE 72x56x8.5 10 PCES	FILTERHALTER-GUMMIDICH. 72x56x8.5 GROSS 10 STCK
19	12217	●	GUARN.GOMMA S.COPPA 72x56x8 NORMALE 10 PZ	STANDARD SIZE FILTER SUPPORT GASKET 10 pcs	JOINT CAOUTCHOU SOUCOUPE 72x56x8 N 10 PCES	FILTERHALTER-GUMMIDICH.72x56x8 NORMAL 10 STCK
20	4925627	●	PORTADOCGETTA GRUPPO EROGAZIONE	WATER SPOUT UNIT SUPPORT	PORTE-DOUCHETTE GROUPE DISTRIBUTION	DUSCHTRAGER VERSORGUNGSEINHEIT
21	27100	●	DOCGETTA GRUPPO 10 PZ	GROUP SHOWER PLATE 10 PCS	DOUCHETTE GROUPE 10 PCES	DUSCHE VERTEILEREINHEIT 10 STCK
22	23260014	●	RONDELLA INOX 12x5	INOX WASHER 12X5	RONDELLE INOX 12x5	STAHL SCHEIBE 12x5
23	23514	●	VITE TPS INOX 5x20	5x20 S.STEEL FLATHEAD SCREW	VIS TPS INOX 5x20	SCHRAUBE TPS 5x20 SCHRAUBEN



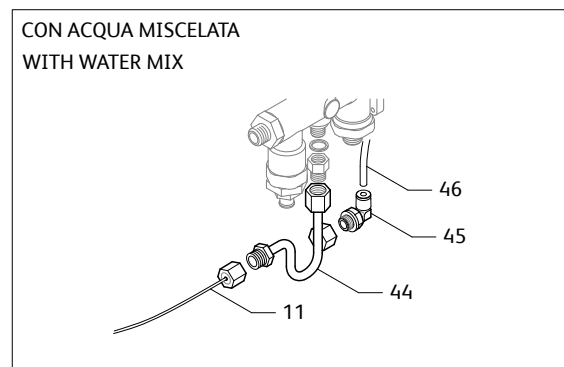
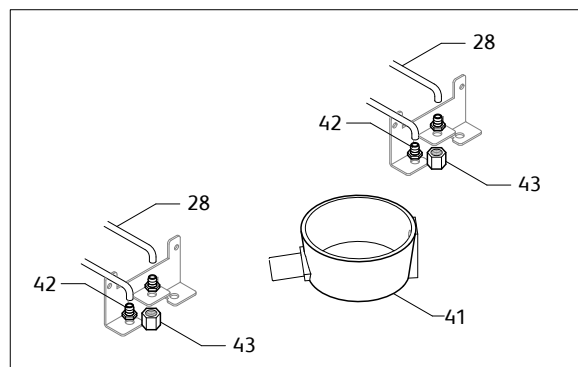
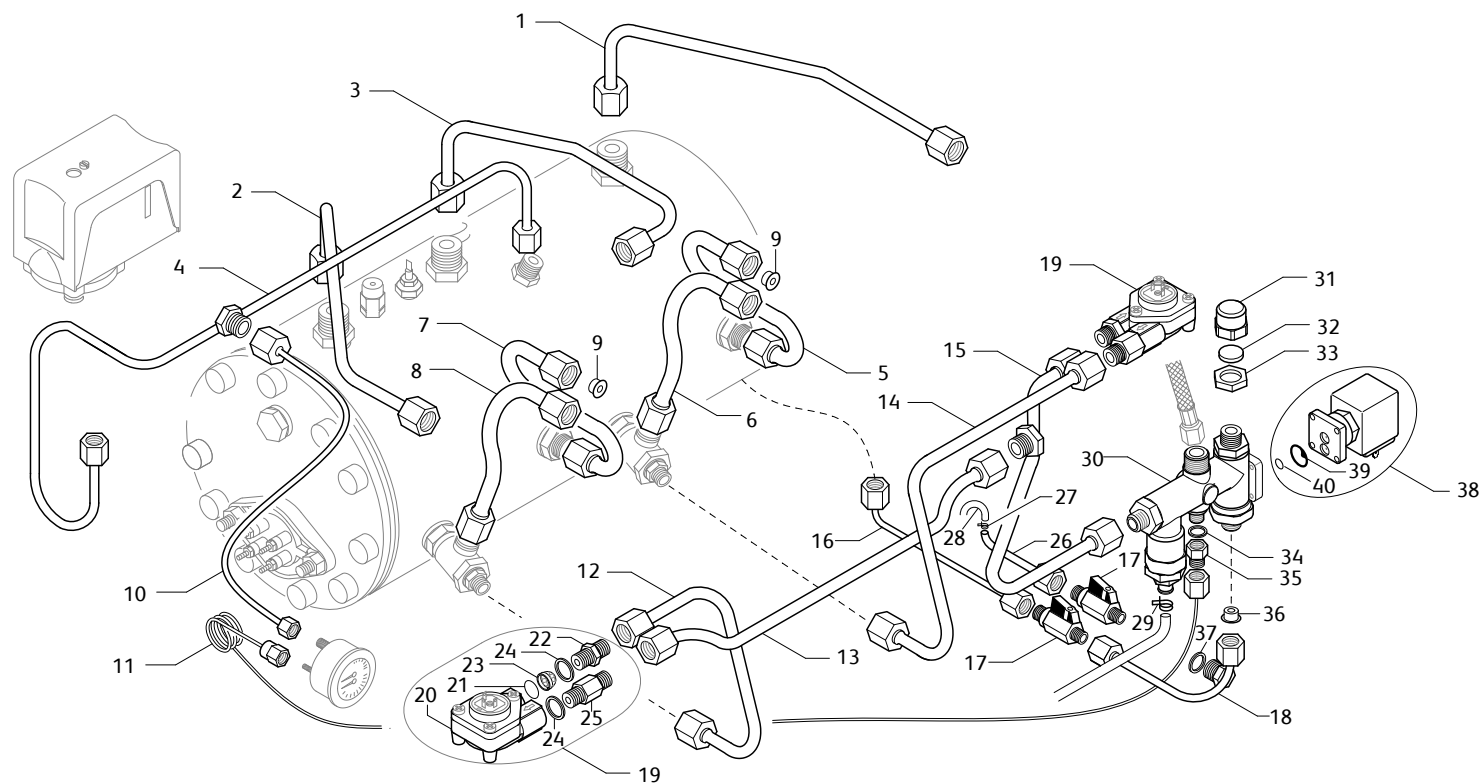
2GR

Pos.	Code	Food	Descrizione - IT -	Description - EN -	Description - FR -	Beschreibung - DE -
1	4617059	●	RESISTENZA 2GR 6P 230/240V 3400/3700W	HEATING ELEM. 2GR 220/240V 3400/3700W	RESISTANCE 2GR 220/240V 3400/3700W	HEIZKORPER 2GR 220/240V 3400/3700W
2	23049		DADO OTTONE M8	BRASS NUT M8	ECROU LAITON M8	MESSING-SCHRAUBENMUTTER M8
3	23133		PRIGIONIERO INOX 8x40	STAINLESS STEEL BOLT 8x40	VIS INOX 8x40	STAHLSCHRAUBE 8x40 8x40
4	23556		VITE TCEI INOX 10x20	STEEL SCREW TCCE 10X20	VIS INOX TCCE 10X20	STAHLSCHRAUBE TCCE 10x20
5	12001	●	GUARNIZIONE TEFLON 58x43x2 10 PZ	TEFLON GASKET 58x43x2 10 PCS	JOINT TEFLON 58x43x2 10 PCES	TEFLON DICHTUNG 58x23x2 10 ST
6	15514111		PROTEZIONE RESISTENZA	HEATING ELEMENT COVER	COUVRE-RESISTENCE	HEIZKORPERDECKEL
7	15514113		BOCCOLA BLOCCAGGIO PROTEZIONE	BUSHING	BAGUE	BUSHING
8	22051003		CAVO MESSA A TERRA L.400	WIRING L.400	CABLE L.400	VERDRAHTUNG L.400
9	12153003	●	GUARNIZIONE RAME 1/4 Sp.2	GASKET 1/4 Sp.2 COPPER	JOINT CUIVRE 1/4 Sp.2	KUPFERDICHTUNG 1/4 Sp.2
10	4925780	●	TAPPO MASCHIO OTTONE 1/4	BRASS MALE CAP 1/4	BOUCHON MALE LAITON 1/4	MESSING-STOPFEN 1/4
11	4953011	●	FLANGIA	FLANGE	BRIDE	FLANSCH
12	12003	●	GUARNIZIONE CALDAIA	BOILER GASKET	JOINT CHAUDIERE	KESSELDICHTUNG
13	4962143001B	●	CALDAIA 2GR CTS/CW510L RUV-T(B)	CTS AEA BOILER 2 UNIT CW510L RUV-T(B)	CHAUDIERE 2GR CTS AEA CW510L RUV-T(B)	HEIZKESSEL 2GR CTS AEA CW510L RUV-T(B)
14	12154001	●	GUARNIZIONE CU 3/8 22x17x2	GASKET COPPER 3/8 22x17x2	JOINT CUIVRE 3/8 22x17x2	KUPFERDICHTUNG 3/8 22x17x2
15	4925687	●	RACCORDO 3/8x3/8	3/8x3/8 FITTING	RACCORD 3/8x3/8	ANSCHLUSS 3/8x3/8
16	12153003	●	GUARNIZIONE RAME 1/4 Sp.2	GASKET 1/4 Sp.2 COPPER	JOINT CUIVRE 1/4 Sp.2	KUPFERDICHTUNG 1/4 Sp.2
17	4756150101	●	VALVOLA ANTIRISUCCHIO V.A.R.	ANTI-EDDY VALVE V.A.R.	SOUPAPE ANTI-DEPRESSION V.A.R.	VENTIL UNTERDRUCKFREI V.A.R.
18	4620251	●	SONDA LIVELLO	LEVEL PROBE	JAUG	PEGELFUHLER
19	4952001612	●	TUBO D-10 L.115	TUBE D-10 L.115	TUYAU D-10 L.115	ROHR D-10 L.115
20	15006001		FLANGIA VALVOLA SICUREZZA	FLANGE VALVE	JOINT VANNE	FLANSCH VENTIL
21	12300000	●	GUARNIZIONE OR	GASKET O RING	JOINT OR	OR DICHTUNG
22	4620352002	●	VALVOLA DI SICUREZZA *CE*	*CE* SAFETY VALVE	SOUPAPE DE SECURITE *CE*	SICHERHEITSVENTIL *CE*
23	56009980		ASSIEME PROTEZIONE VALVOLE SICUREZZA	UNIT PROTECTION VALVE	ENSEMBLE PROTECTION VANNE	SATZ-SCHUTZGITTER VENTIL
24	15478002	●	TUBO SILICONE 8x11 L.70cm	SILICONE TUBE 8x11 L.70cm	TUYAU SILICONE 8x11 L.70cm	SILIKONROHR 8x11 L.70cm
25	4925686	●	RACCORDO 1/4Mx1/4M	CONNECTOR 1/4Mx1/4M	RACCORD 1/4Mx1/4M	ANSCHLUSS 1/4Mx1/4M
26	25781	●	TAPPO FEMMINA 3/8	FEMALE CAP 3/8	BOUCHON FEMELLE 3/8	STOPFEN 3/8
27	12402002	●	GUARNIZIONE RAME PASTICCA 15X3	GASKET COPPER 15X3	JOINT CUIVRE 15X3	KUPFERDICHTUNG 15X3
28	4963200004B	●	SCAMBIATORE CTS D80 ECO/CW510L RUV-T(B)	EXCHANGER WITH THERMOSIPH.CIRCULATI D-80	ECHANG. CIRCUL. A THERMOSIPHON D-80	AUSTAUSCHER MIT ROHREN D-80
29	12005	●	GUARNIZIONE 28x18.3x2	GASKET 28X17X2	JOINT 28X17X2	DICHTUNG 28x17x2
30	25651		RONDELLA OTTONE 3/8	BRASS WASHER 3/8	RONDELLE LAITON 3/8	MESSINGSCHIEBE 3/8
31	25356		CONTRODADO OTTONE 3/8	BRASS LOCK NUT 3/8	CONTRE-ECROU LAITON 3/8	MESSING-GEGENMUTTER 3/8
32	4643030001	●	RACCORDO INIETTORE 3/8Fx3/8Mx14F	3/8Fx3/8Mx14F INJECTOR FITTING	RACC. INJECTEUR 3/8Fx3/8Mx14F	ANSCHLUSS EINSPRITZER 3/8Fx3/8Mx14F
33	4952002788	●	TUBO D-6 L.85	TUBE D-6 L.85	TUYAU D-6 L.85	ROHR D-6 L.85



3GR

Pos.	Code	Food	Descrizione - IT -	Description - EN -	Description - FR -	Beschreibung - DE -
1	4617107	●	RESISTENZA 3GR 6P 230/240V 5000/5440W	HEATING ELEM. 3GR 220/240V 5000/5440	RESISTANCE 3GR 220/240V 5000/5440W	HEIZKORPER 3GR 220/240V 5000/5440W
2	23049		DADO OTTONE M8	BRASS NUT M8	ECROU LAITON M8	MESSING-SCHRAUBENMUTTER M8
3	23133		PRIGIONIERO INOX 8x40	STAINLESS STEEL BOLT 8x40	VIS INOX 8x40	STAHLSCHRAUBE 8x40 8x40
4	23556		VITE TCEI INOX 10x20	STEEL SCREW TCCE 10X20	VIS INOX TCCE 10X20	STAHLSCHRAUBE TCCE 10x20
5	12001	●	GUARNIZIONE TEFLON 58x43x2 10 PZ	TEFLON GASKET 58x43x2 10 PCS	JOINT TEFLON 58x43x2 10 PCES	TEFLON DICHTUNG 58x23x2 10 ST
6	15514111		PROTEZIONE RESISTENZA	HEATING ELEMENT COVER	COUVRE-RESISTENCE	HEIZKORPERDECKEL
7	15514113		BOCCOLA BLOCCAGGIO PROTEZIONE	BUSHING	BAGUE	BUSHING
8	22051003		CAVO MESSA A TERRA L.400	WIRING L.400	CABLE L.400	VERDRAHTUNG L.400
9	12153003	●	GUARNIZIONE RAME 1/4 Sp.2	GASKET 1/4 Sp.2 COPPER	JOINT CUIVRE 1/4 Sp.2	KUPFERDICHTUNG 1/4 Sp.2
10	4925780	●	TAPPO MASCHIO OTTONE 1/4	BRASS MALE CAP 1/4	BOUCHON MALE LAITON 1/4	MESSING-STOPFEN 1/4
11	4953011	●	FLANGIA	FLANGE	BRIDE	FLANSCH
12	12003	●	GUARNIZIONE CALDAIA	BOILER GASKET	JOINT CHAUDIERE	KESSELDICHTUNG
13	4962250001B		CALDAIA 3GR CTS/CW510L RUV-T(B)	CTS AEA BOILER 3 UNIT CW510L RUV-T(B)	CHAUDIERE 3GR CTS AEA CW510L RUV-T(B)	HEIZKESSEL 3GR CTS AEA CW510L RUV-T(B)
14	12154001	●	GUARNIZIONE CU 3/8 22x17x2	GASKET COPPER 3/8 22x17x2	JOINT CUIVRE 3/8 22x17x2	KUPFERDICHTUNG 3/8 22x17x2
15	4925687	●	RACCORDO 3/8x3/8	3/8x3/8 FITTING	RACCORD 3/8x3/8	ANSCHLUSS 3/8x3/8
16	12153003	●	GUARNIZIONE RAME 1/4 Sp.2	GASKET 1/4 Sp.2 COPPER	JOINT CUIVRE 1/4 Sp.2	KUPFERDICHTUNG 1/4 Sp.2
17	4756150101	●	VALVOLA ANTIRISUCCHIO V.A.R.	ANTI-EDDY VALVE V.A.R.	SOUPAPE ANTI-DEPRESSION V.A.R.	VENTIL UNTERDRUCKFREI V.A.R.
18	4952001612	●	TUBO D-10 L.115	TUBE D-10 L.115	TUYAU D-10 L.115	ROHR D-10 L.115
19	15006001		FLANGIA VALVOLA SICUREZZA	FLANGE VALVE	JOINT VANNE	FLANSCH VENTIL
20	12300000	●	GUARNIZIONE OR	GASKET O RING	JOINT OR	OR DICHTUNG
21	4620352002	●	VALVOLA DI SICUREZZA *CE*	*CE* SAFETY VALVE	SOUPAPE DE SECURITE *CE*	SICHERHEITSVENTIL *CE*
22	56009980		ASSIEME PROTEZIONE VALVOLE SICUREZZA	UNIT PROTECTION VALVE	ENSEMBLE PROTECTION VANNE	SATZ-SCHUTZGITTER VENTIL
23	15478002	●	TUBO SILICONE 8x11 L.70cm	SILICONE TUBE 8x11 L.70cm	TUYAU SILICONE 8x11 L.70cm	SILIKONROHR 8x11 L.70cm
24	4620251	●	SONDA LIVELLO	LEVEL PROBE	JAUG	PEGELFUHLER
25	4925686	●	RACCORDO 1/4Mx1/4M	CONNECTOR 1/4Mx1/4M	RACCORD 1/4Mx1/4M	ANSCHLUSS 1/4Mx1/4M
26	25781	●	TAPPO FEMMINA 3/8	FEMALE CAP 3/8	BOUCHON FEMELLE 3/8	STOPFEN 3/8
27	12402002	●	GUARNIZIONE RAME PASTICCA 15X3	GASKET COPPER 15X3	JOINT CUIVRE 15X3	KUPFERDICHTUNG 15X3
28	4963200004B	●	SCAMBIATORE CTS D80 ECO/CW510L RUV-T(B)	EXCHANGER WITH THERMOSIPH.CIRCULATI D-80	ECHANG. CIRCUL. A THERMOSIPHON D-80	AUSTAUSCHER MIT ROHREN D-80
29	12005	●	GUARNIZIONE 28x18.3x2	GASKET 28X17X2	JOINT 28X17X2	DICHTUNG 28x17x2
30	25651		RONDELLA OTTONE 3/8	BRASS WASHER 3/8	RONDELLE LAITON 3/8	MESSINGSCHIEBE 3/8
31	25356		CONTRADADO OTTONE 3/8	BRASS LOCK NUT 3/8	CONTRE-ECROU LAITON 3/8	MESSING-GEGENMUTTER 3/8
32	4643030001	●	RACCORDO INIETTORE 3/8Fx3/8Mx14F	3/8Fx3/8Mx14F INJECTOR FITTING	RACC. INJECTEUR 3/8Fx3/8Mx14F	ANSCHLUSS EINSPRITZER 3/8Fx3/8Mx14F
33	4952002788	●	TUBO D-6 L.85	TUBE D-6 L85	TUYAU D-6 L.85	ROHR D-6 L.85

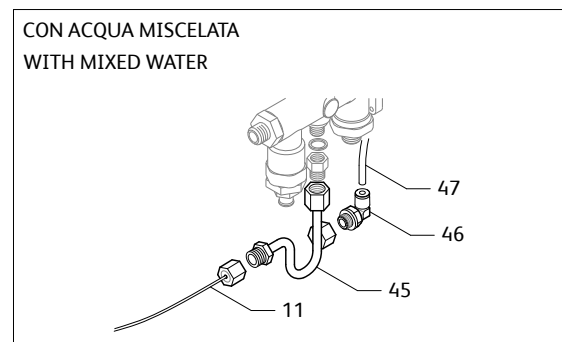
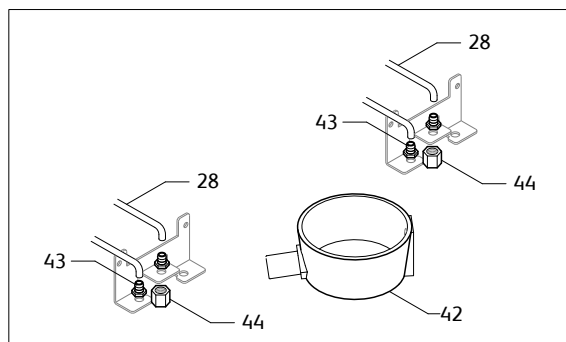
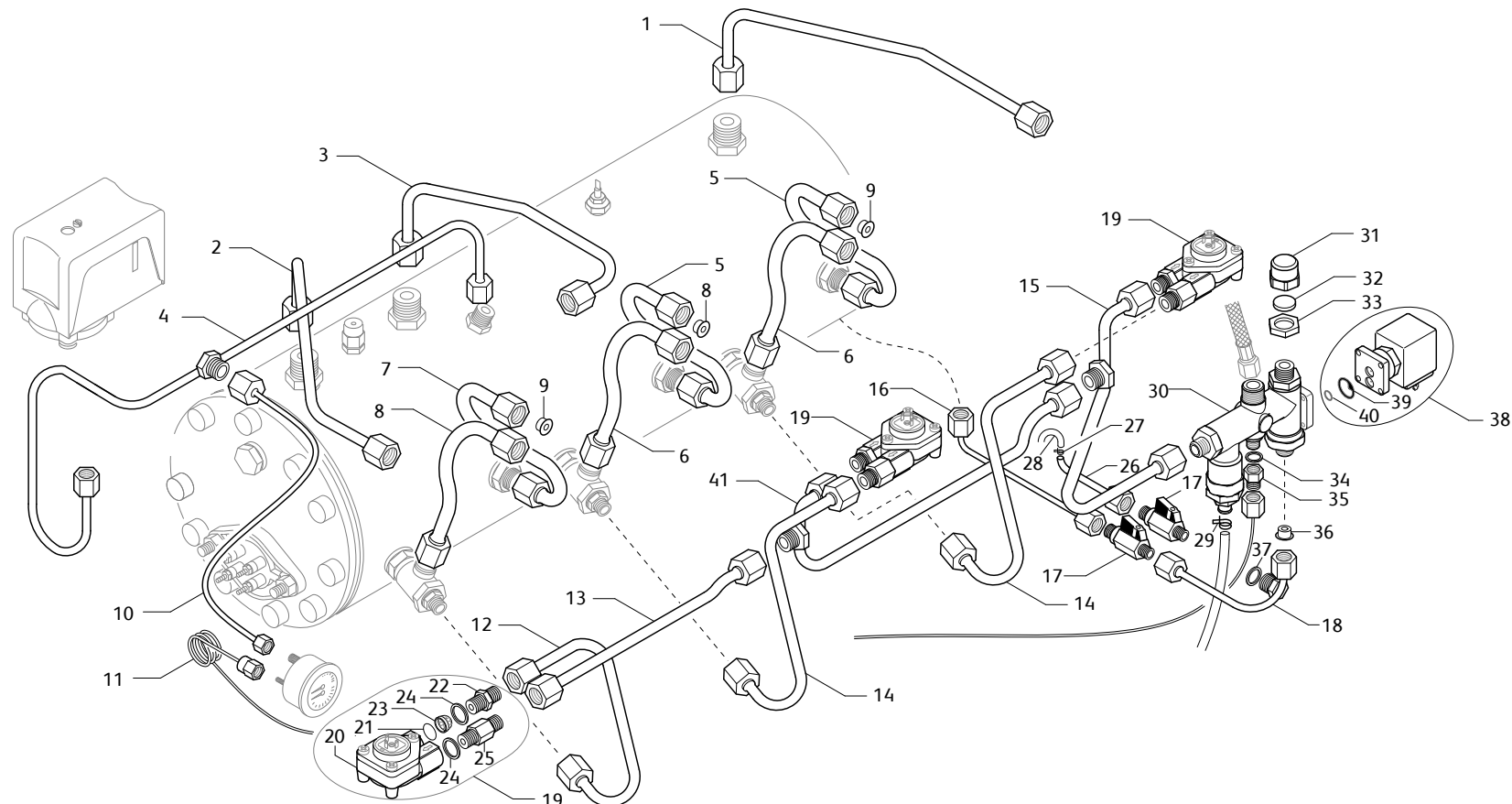


SAE/2

Pos.	Code	Food	Descrizione - IT -	Description - EN -	Description - FR -	Beschreibung - DE -
1	4952001145	●	TBS.D-8 L.335 TB244	TUBE D-10 L.335 TB244	TUYAU D-10 L.335 TB244	ROHR D-10 L.335 TB244
2	4952001146	●	TBS.D-8 L.325 TB245	TUBE D-10 L.325 TB245	TUYAU D-10 L.325 TB245	ROHR D-10 L.325 TB245
3	4952001147	●	TUBO D-6 L.135	TUBE D-6 L.135	TUYAU D-6 L.135	ROHR D-6 L.135
4	4952001154	●	TUBO D-6 L.630 CR2C	TUBE D-6 L.515 CR2C	TUYAU D-6 L.515 CR2C	ROHR D-6 L.515 CR2C
5	4952001153	●	TUBO D-10 L.270 CR2C	TUBE D-10 L.325 CR2C	TUYAU D-10 L.325 CR2C	ROHR D-10 L.325 CR2C
6	4952001176	●	TBS D10 L.245 TB275	TUBE D-10 L.245 TB275	TUYAU D-10 L.245 TB275	ROHR D-10 L.245 TB275
7	4952001152	●	TUBO D-10 L.280 CR2C	TUBE D-10 L.325 CR2C	TUYAU D-10 L.325 CR2C	ROHR D-10 L.325 CR2C
8	4952001151	●	TUBO D-10 L.185 CR2C	TUBE D-10 L.325 CR2C	TUYAU D-10 L.325 CR2C	ROHR D-10 L.325 CR2C
9	4923294001	●	STROZZATURA RICIRCOLO GR CTS D 2,5	CTS UNIT D 2,5 RECIRC. NECK	ETRANGLEMENT RECYCLAGE GR.D-2,5	ENGSTELLE UMWALZUNG D.2,5
9	4923294002	●	STROZZATURA RICIRCOLO GR CTS D.3	CTS UNIT D.3 RECIRC. NECK	ETRANGLEMENT RECYCLAGE GR. D.3	ENGSTELLE UMWALZUNG D.3
9	4923294003	●	STROZZATURA RICIRCOLO GR CTS D 4	CTS UNIT D 4 RECIRC. NECK	ETRANGLEMENT RECYCLAGE GR.D.4	ENGSTELLE UMWALZUNG D.4
9	4923294004	●	STROZZATURA RICIRCOLO GR CTS D 5	CTS UNIT D 5 RECIRC. NECK	ETRANGLEMENT RECYCLAGE GR.D.5	ENGSTELLE UMWALZUNG D.5
10	4952001433	●	TUBO D-4 L.310	TUBE D-4 L.310	TUYAU D-4 L.310	ROHR D-4 L.310
11	4652003057	●	TUBO D-2 L.1000	TUBE D-2 L.1000	TUYAU D-2 L.1000	ROHR D-2 L.1000
12	4652001150	●	TUBO D-6 L.220 CR2C	TUBE D-6 L.340 CR2C	TUYAU D-6 L.340 CR2C	ROHR D-6 L.340 CR2C
13	4652000393	●	TUBO D-6 L.315	TUBE D-6 L.315	TUYAU D-6 L.315	ROHR D-6 L.315
14	4652001149	●	TUBO D-6 L.300 TB248	TUBE D-6 L.300 TB248	TUYAU D-6 L.300 TB248	ROHR D-6 L.300 TB248
15	4652001178	●	TBS.D-6 L.235 TB277	TUBE D-6 L.235 TB277	TUYAU D-6 L.235 TB277	ROHR D-6 L.235 TB277
16	4952001148	●	TBS.D-8 L.80 TB247	TUBE D-8 L.80 TB247	TUYAU D-8 L.80 TB247	ROHR D-8 L.80 TB247
17	4620354001	●	VALVOLA CHIUSURA L.40	TAP L.40	CLAPET FERMETURE EAU	ABSPERRVENTIL WASSERZUFUHR L.40
18	4952001058	●	TUBO D-8 L.120 TB172 TUBO D-8 L.120 TB172	TUBE D-8 L.120 TB172 TUBE D-8 L.120 TB172	TUYAU D-8 L.120 TB172 TUYAU D-8 L.120 TB172	ROHR D-8 L.120 TB172
19	4956122060	●	ASSIEME DOSATORE	DOSER KIT	KIT DOSEUR	DOSIERER
20	4918126010	●	DOSATORE FLOWMETER	FLOWMETER DOSER	KIT DOSEUR	DOSIERER
21	12329	●	GUARNIZIONE OR HNBR 7.66xW1.78	GASKET OR HNBR 7.66xW1.78	JOINT OR HNBR 7.66x1.78	OR DICHTUNG HNBR 7.66xW1.78
22	4925686	●	RACCORDO 1/4Mx1/4M	CONNECTOR 1/4Mx1/4M	RACCORD 1/4Mx1/4M	ANSCHLUSS 1/4Mx1/4M
23	10254	●	FILTRO ACCIAIO 160-200 MESH	STEEL FILTER 160-200 MESH	FILTRE EN ACIER 160-200 MESH	STAHLFILTER 160-200 MESH
24	12153003	●	GUARNIZIONE RAME 1/4 Sp.2	GASKET 1/4 Sp.2 COPPER	JOINT CUIVRE 1/4 Sp.2	KUPFERDICHTUNG 1/4 Sp.2
25	4925708	●	RACCORDO 1/4x1/4	1/4X1/4 CW510L fitting	RACCORD 1/4X1/4	ANSCHLUSS 1/4X1/4
26	4652000851	●	TUBO D-8 L.45	TUBE D-8 L.45	TUYAU D-8 L.45	ROHR D-8 L.45
27	15056003		FASCETTA BIFILARE A MOLLA D.11-11.6	SPRING CLAMP BI FILAR D11,00-11.6	COLLIER BIFILAIRE RESSORT D.11,00-11.6	SCHELLE D.11-11,6
28	15452136	●	TUBO SILICONE D-7x11 L.300	TUBE SILICONE D-7x11 L.300	TUYAU SILICONE D-7x11 L.300	SILIKONROHR D7x11 L.300
29	15056004		FASCETTA BIFILARE A MOLLA D.12,1-13,1	SPRING CLAMP BI FILAR D12,10-13.1	COLLIER BIFILAIRE RESSORT D.11,10-13.1	SCHELLE D. 12,1-13,1
30	4661016003	●	DISTRIBUTORE CARICO ACQUA	WATER DISTRIBUTION BLOCK	DISTRIBUTEUR EAU	WASSER VERTEILER
31	25781	●	TAPPO FEMMINA 3/8	FEMALE CAP 3/8	BOUCHON FEMELLE 3/8	STOPFEN 3/8
32	12402002	●	GUARNIZIONE RAME PASTICCA 15X3	GASKET COPPER 15X3	JOINT CUIVRE 15X3	KUPFERDICHTUNG 15X3
33	25396		DADO 1/4 SP.4	NUT 1/4 - 4 THICK	ECROU 1/4 SP.4	MUTTER 1/4
34	12156003	●	GU CU 1/8 SP2 14X10X2 35--55HV REV06/22	GASKET 1/8 SP2 14X10X2	JOINT 1/8 SP2 14X10X2	DICHTUNG 1/8 SP2 14X10X2
35	4925743001	●	RIDUZIONE 1/4Mx1/8F	REDUCTIE 1/4Mx1/8F	REDUCTION 1/4Mx1/8F	REDUKTION 1/4Mx1/8F

SAE/2

Pos.	Code	Food	Descrizione - IT -	Description - EN -	Description - FR -	Beschreibung - DE -
36	4923293012	●	STROZZATURA D-1.2	NECK D-1.2	ETRANGLEMENT D-1.2	UMWALZUNG D-1.2
37	12100	●	GUARNIZIONE CU/ALIM 1/4 18.7x13.2x2.5	CU GASKET 1/4 18.7X13.2X2.5	JOINT CU 1/4 18.7X13.2X2.5	CU DICHTUNG 1/4 18.7x13.2x2.5
38	4918159003	●	ELETTRORVALVOLA AEA IN BASE 220/240V 50-60Hz	SOLENOID VALVE 220/240V 50-60Hz	ELECTROVANNE 220/240V 50-60Hz	ELEKTROVENTIL 220/240V 50-60Hz
39	12299001	●	GUARNIZIONE VERDE A GOCCIA	GASKET	JOINT	DICHTUNG
40	12299002	●	GUARNIZIONE ROSSA PICCOLA	RED GASKET	JOINT ROUGE	DICHTUNG ROT
41	15502		VASCHETTA SCARICO ROTONDA D 80	ROUND DRAIN BASIN D.80mm	CUVE A VIDANGER RONDE D.80mm	RUNDE ABFLUSSCHALE D.80mm
42	23221006		PORTAGOMMA 1/8M D.8	HOSE CONNECTION 1/8M	PORTE-CAOUTCHOUC 1/8M	GUMMIHALTER 1/8M
43	23055		DADO ROMPIGETTO M + F	SPOUT-CUTTING NUT	ECROU	SCHRAUBENMUTTER
44	4652001177	●	TBS D8 L140 TB276 H20 MIX	TUBE D-8 L.140 TB276	TUYAU D-8 L.140 TB276	ROHR D-8 L.140 TB276
45	4623229111	●	RACCORDO RAPIDO -L- 1/8M	QUICK COUPLING -L- 1/8M	RACCORD RAPIDE -L- 1/8M	STECKVERBINDUNG -L- 1/8M
46	15452075	●	TUBO PTFE D-2,54x2 L.480 TUBO PTFE D-2,54x2 L.480	TUBE PTFE D-2,5x4 L.480 TUBE PTFE D-2,5x4 L.480	TUYAU PTFE 2,5x4 L.480 TUYAU PTFE 2,5x4 L.480	ROHR PTEF 2,5x4 L.480 ROHR PTEF 2,5x4 L.480

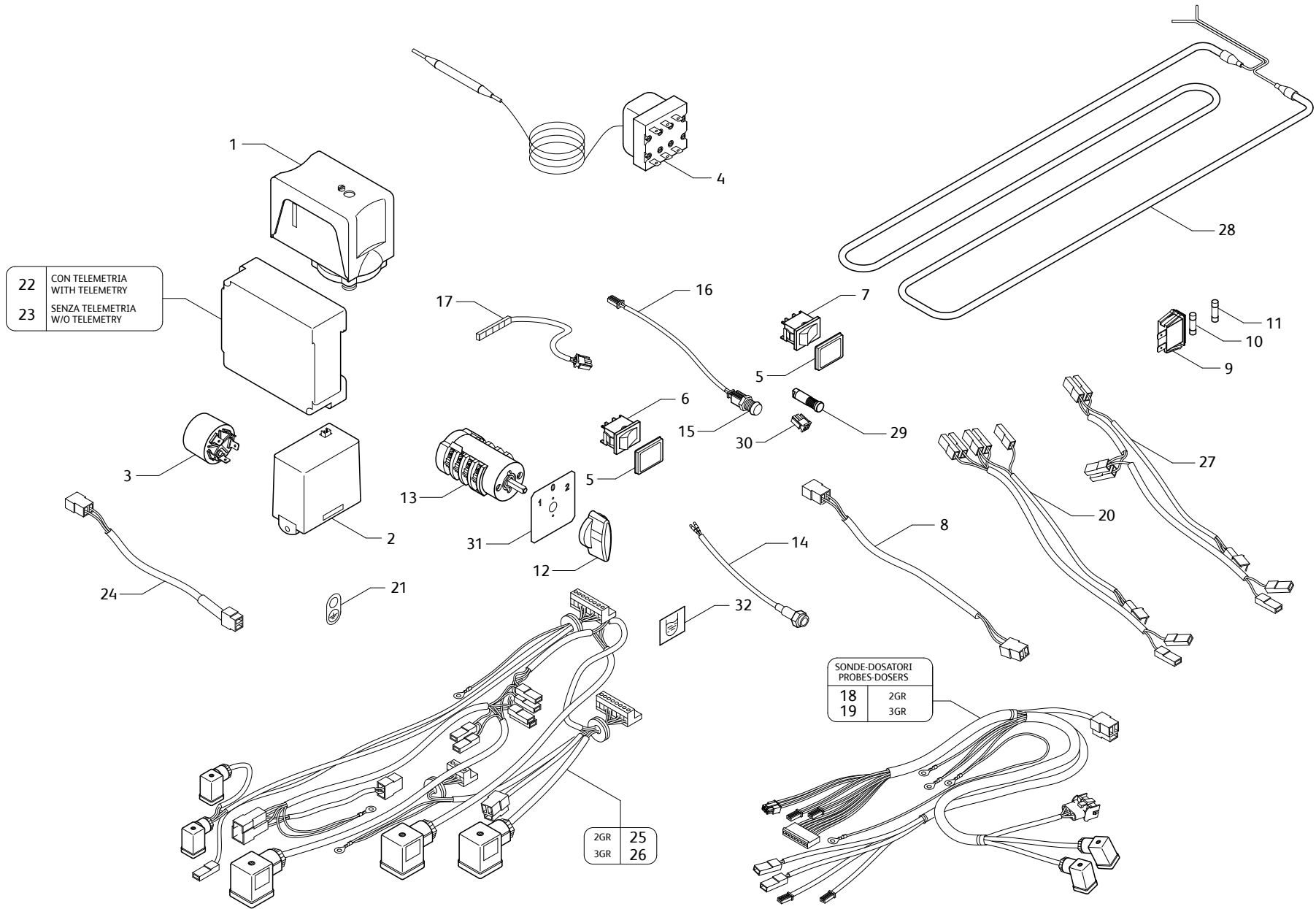


SAE/3

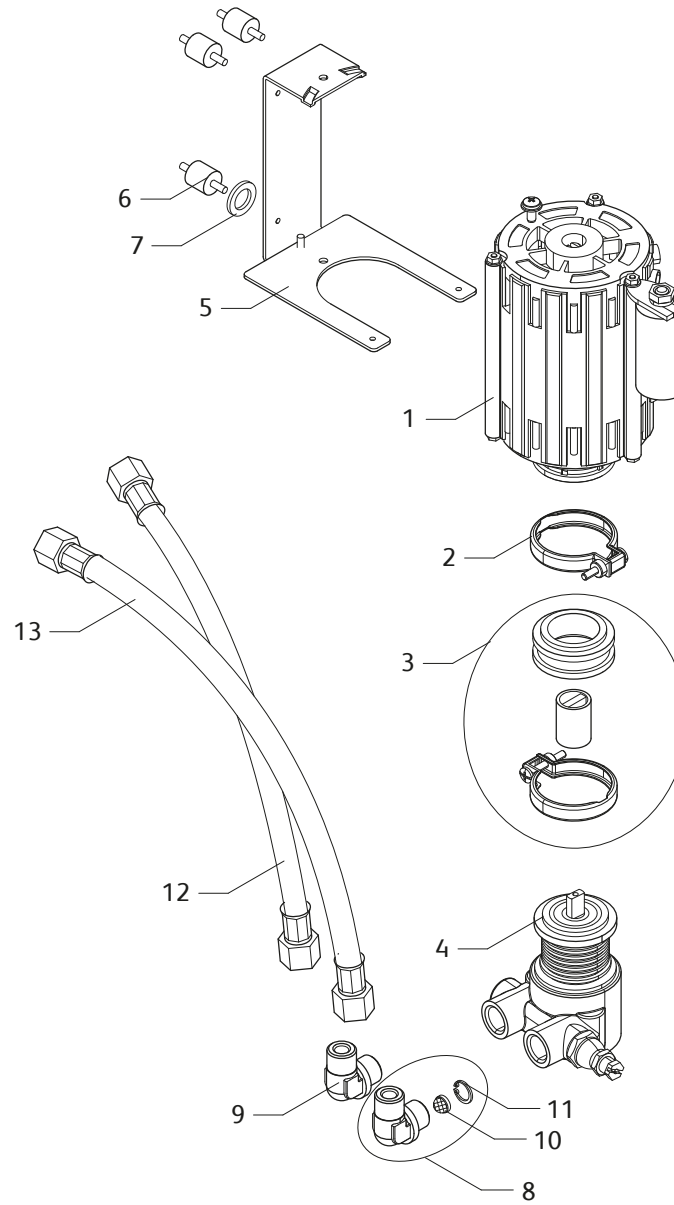
Pos.	Code	Food	Descrizione - IT -	Description - EN -	Description - FR -	Beschreibung - DE -
1	4952001145	●	TBS.D-8 L.335 TB244	TUBE D-10 L.335 TB244	TUYAU D-10 L.335 TB244	ROHR D-10 L.335 TB244
2	4952001146	●	TBS.D-8 L.325 TB245	TUBE D-10 L.325 TB245	TUYAU D-10 L.325 TB245	ROHR D-10 L.325 TB245
3	4952001147	●	TUBO D-6 L.135	TUBE D-6 L.135	TUYAU D-6 L.135	ROHR D-6 L.135
4	4952001154	●	TUBO D-6 L.630 CR2C	TUBE D-6 L.515 CR2C	TUYAU D-6 L.515 CR2C	ROHR D-6 L.515 CR2C
5	4952001153	●	TUBO D-10 L.270 CR2C	TUBE D-10 L.325 CR2C	TUYAU D-10 L.325 CR2C	ROHR D-10 L.325 CR2C
6	4952001176	●	TBS D10 L.245 TB275	TUBE D-10 L.245 TB275	TUYAU D-10 L.245 TB275	ROHR D-10 L.245 TB275
7	4952001152	●	TUBO D-10 L.280 CR2C	TUBE D-10 L.325 CR2C	TUYAU D-10 L.325 CR2C	ROHR D-10 L.325 CR2C
8	4952001151	●	TUBO D-10 L.185 CR2C	TUBE D-10 L.325 CR2C	TUYAU D-10 L.325 CR2C	ROHR D-10 L.325 CR2C
9	4923294001	●	STROZZATURA RICIRCOLO GR CTS D 2,5	CTS UNIT D 2,5 RECIRC. NECK	ETRANGLEMENT RECYCLAGE GR.D-2,5	ENGSTELLE UMWALZUNG D.2,5
9	4923294002	●	STROZZATURA RICIRCOLO GR CTS D.3	CTS UNIT D.3 RECIRC. NECK	ETRANGLEMENT RECYCLAGE GR. D.3	ENGSTELLE UMWALZUNG D.3
9	4923294003	●	STROZZATURA RICIRCOLO GR CTS D 4	CTS UNIT D 4 RECIRC. NECK	ETRANGLEMENT RECYCLAGE GR.D.4	ENGSTELLE UMWALZUNG D.4
9	4923294004	●	STROZZATURA RICIRCOLO GR CTS D 5	CTS UNIT D 5 RECIRC. NECK	ETRANGLEMENT RECYCLAGE GR.D.5	ENGSTELLE UMWALZUNG D.5
10	4952001433	●	TUBO D-4 L.310	TUBE D-4 L.310	TUYAU D-4 L.310	ROHR D-4 L.310
11	4652003057	●	TUBO D-2 L.1000	TUBE D-2 L.1000	TUYAU D-2 L.1000	ROHR D-2 L.1000
12	4652001150	●	TUBO D-6 L.220 CR2C	TUBE D-6 L.340 CR2C	TUYAU D-6 L.340 CR2C	ROHR D-6 L.340 CR2C
13	4652000393	●	TUBO D-6 L.315	TUBE D-6 L.315	TUYAU D-6 L.315	ROHR D-6 L.315
14	4652001149	●	TUBO D-6 L.300 TB248	TUBE D-6 L.300 TB248	TUYAU D-6 L.300 TB248	ROHR D-6 L.300 TB248
15	4652001178	●	TBS.D-6 L.235 TB277	TUBE D-6 L.235 TB277	TUYAU D-6 L.235 TB277	ROHR D-6 L.235 TB277
16	4952001148	●	TBS.D-8 L.80 TB247	TUBE D-8 L.80 TB247	TUYAU D-8 L.80 TB247	ROHR D-8 L.80 TB247
17	4620354001	●	VALVOLA CHIUSURA L.40	TAP L.40	CLAPET FERMETURE EAU	ABSPERRVENTIL WASSERZUFUHR L.40
18	4952001058	●	TUBO D-8 L.120 TB172 TUBO D-8 L.120 TB172	TUBE D-8 L.120 TB172 TUBE D-8 L.120 TB172	TUYAU D-8 L.120 TB172 TUYAU D-8 L.120 TB172	ROHR D-8 L.120 TB172
19	4956122060	●	ASSIEME DOSATORE	DOSER KIT	KIT DOSEUR	DOSIERER
20	4918126010	●	DOSATORE FLOWMETER	FLOWMETER DOSER	KIT DOSEUR	DOSIERER
21	12329	●	GUARNIZIONE OR HNBR 7.66xW1.78	GASKET OR HNBR 7.66xW1.78	JOINT OR HNBR 7.66x1.78	OR DICHTUNG HNBR 7.66xW1.78
22	4925686	●	RACCORDO 1/4Mx1/4M	CONNECTOR 1/4Mx1/4M	RACCORD 1/4Mx1/4M	ANSCHLUSS 1/4Mx1/4M
23	10254	●	FILTRO ACCIAIO 160-200 MESH	STEEL FILTER 160-200 MESH	FILTRE EN ACIER 160-200 MESH	STAHLFILTER 160-200 MESH
24	12153003	●	GUARNIZIONE RAME 1/4 Sp.2	GASKET 1/4 Sp.2 COPPER	JOINT CUIVRE 1/4 Sp.2	KUPFERDICHTUNG 1/4 Sp.2
25	4925708	●	RACCORDO 1/4x1/4	1/4X1/4 CW510L fitting	RACCORD 1/4X1/4	ANSCHLUSS 1/4X1/4
26	4652000851	●	TUBO D-8 L.45	TUBE D-8 L.45	TUYAU D-8 L.45	ROHR D-8 L.45
27	15056003		FASCETTA BIFILARE A MOLLA D.11-11.6	SPRING CLAMP BI FILAR D11,00-11.6	COLLIER BIFILAIRE RESSORT D.11,00-11.6	SHELLE D.11-11,6
28	15452136	●	TUBO SILICONE D-7x11 L.300	TUBE SILICONE D-7x11 L.300	TUYAU SILICONE D-7x11 L.300	SILIKONROHR D7x11 L.300
29	15056004		FASCETTA BIFILARE A MOLLA D.12,1-13,1	SPRING CLAMP BI FILAR D12,10-13,1	COLLIER BIFILAIRE RESSORT D.11,10-13,1	SHELLE D. 12,1-13,1
30	4661016003	●	DISTRIBUTORE CARICO ACQUA	WATER DISTRIBUTION BLOCK	DISTRIBUTEUR EAU	WASSER VERTEILER
31	25781	●	TAPPO FEMMINA 3/8	FEMALE CAP 3/8	BOUCHON FEMELLE 3/8	STOPFEN 3/8
32	12402002	●	GUARNIZIONE RAME PASTICCA 15X3	GASKET COPPER 15X3	JOINT CUIVRE 15X3	KUPFERDICHTUNG 15X3
33	25396		DADO 1/4 SP.4	NUT 1/4 - 4 THICK	ECROU 1/4 SP.4	MUTTER 1/4
34	12156003	●	GU CU 1/8 SP2 14X10X2 35--55HV REV06/22	GASKET 1/8 SP2 14X10X2	JOINT 1/8 SP2 14X10X2	DICHTUNG 1/8 SP2 14X10X2
35	4925743001	●	RIDUZIONE 1/4Mx1/8F	REDUCTIE 1/4Mx1/8F	REDUCTION 1/4Mx1/8F	REDUKTION 1/4Mx1/8F

SAE/3

Pos.	Code	Food	Descrizione - IT -	Description - EN -	Description - FR -	Beschreibung - DE -
36	4923293012	●	STROZZATURA D-1.2	NECK D-1.2	ETRANGLEMENT D-1.2	UMWALZUNG D-1.2
37	12100	●	GUARNIZIONE CU/ALIM 1/4 18.7x13.2x2.5	CU GASKET 1/4 18.7X13.2X2.5	JOINT CU 1/4 18.7X13.2X2.5	CU DICHTUNG 1/4 18.7x13.2x2.5
38	4918159003	●	ELETTRORVALVOLA AEA IN BASE 220/240V 50-60Hz	SOLENOID VALVE 220/240V 50-60Hz	ELECTROVANNE 220/240V 50-60Hz	ELEKTROVENTIL 220/240V 50-60Hz
39	12299001	●	GUARNIZIONE VERDE A GOCCIA	GASKET	JOINT	DICHTUNG
40	12299002	●	GUARNIZIONE ROSSA PICCOLA	RED GASKET	JOINT ROUGE	DICHTUNG ROT
41	4652001119	●	TBS.D-6 L.285 TB218	TUBE D-6 L.285	TUYAU D-6 L.285	ROHR D-6 L.285
42	15502		VASCHETTA SCARICO ROTONDA D 80	ROUND DRAIN BASIN D.80mm	CUVE A VIDANGER RONDE D.80mm	RUNDE ABFLUSSCHALE D.80mm
43	23221006		PORTAGOMMA 1/8M D.8	HOSE CONNECTION 1/8M	PORTE-CAOUTCHOUC 1/8M	GUMMIHALTER 1/8M
44	23055		DADO ROMPIGETTO M + F	SPOUT-CUTTING NUT	ECROU	SCHRAUBENMUTTER
45	4652001177	●	TBS D8 L140 TB276 H2O MIX	TUBE D-8 L.140 TB276	TUYAU D-8 L.140 TB276	ROHR D-8 L.140 TB276
46	4623229111	●	RACCORDO RAPIDO -L- 1/8M	QUICK COUPLING -L- 1/8M	RACCORD RAPIDE -L- 1/8M	STECKVERBINDUNG -L- 1/8M
47	15452075	●	TUBO PTFE D-2,5x4 L.480 TUBO PTFE D-2,5x4 L.480	TUBE PTFE D-2,5x4 L.480 TUBE PTFE D-2,5x4 L.480	TUYAU PTFE 2,5x4 L.480 TUYAU PTFE 2,5x4 L.480	ROHR PTEF 2,5x4 L.480 ROHR PTEF 2,5x4 L.480

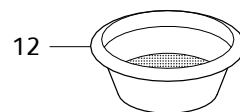
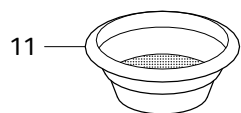
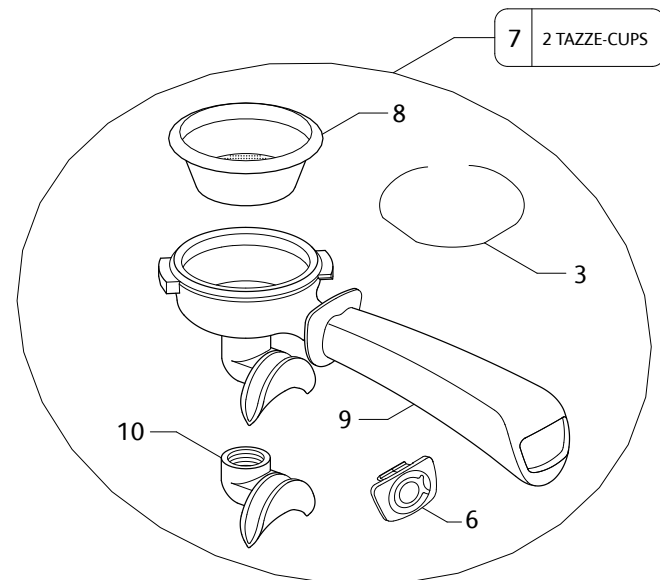
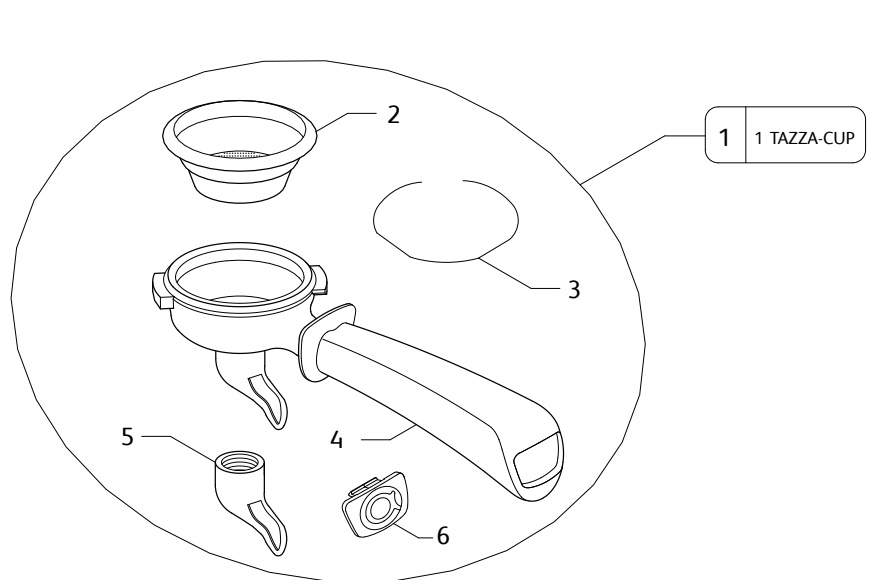


Pos.	Code	Food	Descrizione - IT -	Description - EN -	Description - FR -	Beschreibung - DE -
1	20150	●	PRESSOSTATO SECCO SIRAI 30A	DRY PRESSURE SWITCH SIRAI 30A	PRESSOSTAT SEC SIRAI 30A	TROCKENDRUCKWACHTER SIRAI 30A
2	18559027		ALIMENTATORE SWICHTING 12Vdc 20W	SWITCHING POWER UNIT	ALIMENTATION LED	LED NETZTEIL
3	18090243		FILTRO RLC	RLC FILTER	FILTRE	FILTER
4	56930000		ASSIEME TERMOSTATO	ASS.THERMOSTAT	ENS.THERMOSTAT	THERMOSTAT
5	19049001		COPERTURA INTERRUTTORE	SWITCH COVER	PROTECTION INTERRUPTEUR	SCHALTER ABD.
6	18371143		INTERRUTTORE NERO	SWITCH BLACK	INTERRUPTEUR NOIR	SCHALTER SCHWARZ
7	18371182		INTERRUTTORE NERO SERIGRAFATO 0-1	SWITCH BLACK	INTERRUPTEUR NOIR	SCHALTER SCHWARZ
8	22717301		CABLAGGIO MOTORE 120W	MOTOR CABLE 120W	CABLAGE MOTEUR 120W	MOTOR VERKABELUNG 120W
9	19123002		PORTAFUSIBILE F430 250V 10A UR/VDE	FUSE HOLDER 250V 10A UR	PORTE-FUSIBLE 250V 10A UR	SICHRUNGSHALTER 250V 10A UR
10	19103		FUSIBILE 5x20 6.3A ST520263 OMEGA UL/VDE	FUSE 5x20 6.3A ST520263 OMEGA	FUSIBLE 5x20 6.3A ST520263 OMEGA	SCHMELZSICH.OMEGA 5x20 ST520263
11	19104		FUSIBILE OMEGA 5x20 10A UL/VDE	FUSE OMEGA 5x20 T-10A	FUSIBLE OMEGA 5x20 T-10A	SCHMELZSICHERUNG OMEGA 5x20 T-10A
12	15271		MANOPOLA INTERR.GENERALE BREMAS	MAIN SWITCH HAND GRIP	MANETTE INTERR. GENERAL	HAUPTSCHALTERGRIFF
13	22944		COMMUTATORE 18104 + CAVO ALIMENTAZIONE	COMMUTATOR 18104 + ALIMENTATION CABLE	COMM. 18104 + CABLE D'ALIMENTATION	KONTROLLEUCHE + STROMKABEL
14	21014002		LED BIANCO CABLATO	LED WHITE	LED BLANC	LED WEISS
15	21026003		LED D5 COLORE BLU CABLATO	LED D-5 BLUE	LED D-5 BLEU	LED D-5 BLUE
16	22623010		PROLUNGA SPIA LIVELLO CALDAIA	BOILER LEVEL EXTENSION CABLE	CABLE D'EXTENSION DE NIVEAU CHAUDIERE	KESSELSTUFE KABELVERLÄNGERUNG
17	18371207		STRIP 3 LED BIANCO CON SUPPORTO	3 LED STRIP WHITE	BANDE DE 3 LED BLANC	LED 3 STREIFEN WEISS
18	22803136		CABLAGGIO 2GR DOSATORI/SONDE	WIRING 2GR DOSER/PROBE	CABLAGE 2GR	VERDRAHTUNG 2GR
19	22800623		CABLAGGIO EVD/3 DOSATORI/SONDE	CABLE SAE-EVD/3	CABLAGE SAE-EVD/3	VERDRAHTUNG SAE-EVD/3
20	22800626		CABLAGGIO INTERFACCIA FILTRO ANTIDISTURBO	FILTER INTERFACE WIRING	CABLAGE D'INTERFACE FILTRE	FILTER SCHNITTSTELLEN VERDRAHTUNG
21	19250		SIMBOLO TERRA ALL.CON CERCHIO NERO	EARTH SYMBOL S788 SMALL	SIMBOLE DE TERRE S788 PETIT	ERDES YMBOL S788 KLEIN
22	18090284		CENTRALINA 100/240V 3D5 XLC	CONTROL UNIT 100/240V 3D5 XLC	CENTR.100/240V 3D5 XLC	STEUEREINHEIT
23	18090377		CENTR 100/240V 3D5 XLC IO/1>3GR SENZA TELEMETRIA	CONTROL UNIT W/O TELEMETRY	CENTR.100/240V 3D5 XLC IO/1-3GR SANS TÉLÉMÉTRIE	STEUEREINHEIT OHNE TELEMETRIE
24	22800625		CABLAGGIO INTERFACCIA ALIMENTATORE LED	LED INTERFACE CABLE	CABLAGE INTERFACE LED	LED-SCHNITTSTELLEN VERKABELUNG
25	22803139		CABLAGGIO 2GR POTENZA	POWER CABLE 2GR	CABLAGE D'ALIMENTATION 2GR	STROMKABEL 2GR
26	22800629		CABLAGGIO EVD/3+A/STEAM POTENZA	POWER CABLE 3GR	CABLAGE D'ALIMENTATION 3GR	STROMKABEL 3GR
27	22723066		CABLAGGIO SCALDATAZZE 2GR	POWER CABLE CUP WARMER 2GR	CABLAGE D'ALIMENTATION CHAUFFE TASSES 2GR	STROMKABEL TASSENEARMER 2GR
28	17022		RESISTENZA 2GR 230V 200W	HEATING ELEMENT 2GR 230V 200W	RESISTANCE 2GR 230V 200W	WIDERSTAND 2GR 230V 200W
29	21023		LAMPADA SPIA ROSSA 230V	RED PILOT LIGHT 230V	LAMPE TEMOIN ROUGE 230V	ROTE KONTROLLEUCHE 230V
30	10760		BLOCCHETTO MASCHIO	MALE BLOCK	MODULE MALE	STECKER
31	29067003		ETICHETTA ADESIVA 1-0-2 NERO PLASTICO 58x58	ADHESIVE LABEL 1-0-2 BLACK	ETIQ. ADHES. 1-0-2 NOIR	KLEBEETIKETTE 1-0-2 SCHWARZ
32	29052027		ETICHETTA ADESIVA SIMBOLO LIVELLO ACQUA	ADHESIVE LABEL WATER	ETIQ. ADHES. EAU	KLEBEETIKETTE WASSER



INCORPORATA - BUILT-IN - INCORPORÉ - EINGEBAUTE

Pos.	Code	Food	Descrizione - IT -	Description - EN -	Description - FR -	Beschreibung - DE -
1	18303001		MOTORE RPM 230V 150W	MOTOR RPM 230V 150W	MOTEUR RPM 230V 150W	MOTOR RPM 230V 150W
2	26310003		FASCETTA GIUNZIONE MOTORE-POMPA	CLAMP MOTOR-PUMP	BANDE MOTEUR-POMPE	SCHELLE MOTOR-PUMPE
3	83260016R		KIT DISACCOPPIAMENTO MOTORE POMPA	KIT DECOUPLING MOTOR-PUMP	ENSEMBLE DECOUPLAGE MOTEUR POMPE	KIT MOTOR-PUMPE KUPPLUNG
4	4626303001	●	POMPA FLUID-O-TECH 104	PUMP FLUYD 104	POMPE 104	PUMPE 104
5	78214527		STAFFA MOTORE	MOTOR BRACKET	SUPPORT MOTEUR	MOTOR HALTERUNG
6	15105002		GOMMINO ANTIVIBRANTE	RUBBER FOR MOTOR	CAOUTCHOUC POUR MOTEUR	GUMMI x MOTOR
7	23265		RONDELLA 4x12	WASHER 4x12	RONDELLE 4x12	SCHEIBE 4x12
8	4656116003	●	RACCORDO GOMITO 3/8+3/8	CONNECTOR 3/8+3/8	RACCORD 3/8 + 3/8	ANSCHLUSS 3/8 + 3/8
9	4943052002	●	RACCORDO GIREVOLE "L" 3/8	ADJUSTABLE FITTING	RACCORD AJUSTABLE	EINSTELLBARE BESCHLÄGE
10	10254	●	FILTRO ACCIAIO 160-200 MESH	STEEL FILTER 160-200 MESH	FILTRE EN ACIER 160-200 MESH	STAHLFILTER 160-200 MESH
11	10005	●	ANELLO DI ARRESTO INOX	STAINLESS STEEL STOP RING	ANNEAU DE BUTEE INOX	DRAHTSPRENGRING ROSTFREI
12	4630403	●	TUBOFLEX 3/8FF L.330	FLEX PIPE 3/8 L33 CONICAL	TUYAU FLEX 3/8 FF L33	SCHLAUCH 3/8 AUFNAHMETUR L33 GUMMI KONI
13	4630408	●	TUBOFLEX 3/8FF L.1500 mm	FLEX PIPE 3/8 L.1500 mm	TUYAU FLEX 3/8 FF L.1500 mm	SCHLAUCH 3/8 L.1500 mm



Pos.	Code	Food	Descrizione - IT -	Description - EN -	Description - FR -	Beschreibung - DE -
1	83270058R	●	ASSIEME PORTAFILTRO COPERTURA NERA 1 TAZZA D.58	FILTERHOLDER 1 CUP D.58	ENSEMBLE PORTE-FILTRE 1 TASSE D.58	KIT FILTERHALTER EINZELAUSLAUF D.58
2	27142	●	FILTRO INOX 1 TAZZA H.24	1 CUP S.STEEL FILTER H.24	FILTRE INOX 1 TASSE H.24 10 PCES	EDELSTAHL-FILTER 1 TASSE H.24 10 ST
3	27254	●	MOLLA FERMAFILTRO	FILTER CLAMP SPRING	RESSORT BLOCAGE-FILTRE	FILTERHALTEFEDER
4	27311200	●	PORTAFILTRO 1 TAZZA COPERTURA NERA	FILTER HOLDER 1T BLACK COVER	PORTE-FILTRE 1T COUVERCLE NOIR	FILTER HALTER 1T SCHWARZE ABDECKUNG
5	27032001	●	BECCUCCIO 1 TAZZA	SPOUT 1 CUP	BEC 1 TASSE	AUSGUSS 1 TASSE
6	15263032		TAPPO MANOPOLA PORTAFILTRO ASTORIA	ASTORIA LOGO FOR FILTER HOLDER	LOGO ASTORIA POUR PORTE FILTRE	ASTORIA LOGO FUER FILTERHALTER
7	83270059R	●	ASSIEME PORTAFILTRO COP.NERA 2 TAZZE D.58 ASTORIA	FILTERHOLDER 2 CUPS D.58	ENSEMBLE PORTE-FILTRE 2 TASSES D.58	KIT FILTERHALTER DOPPELAUSLAUF D.58
8	27171	●	FILTRO INOX 2 TAZZE H.24,5	2 CUPS S.STEEL FILTER H.24,5	FILTRE INOX 2 TASSES H.24,5 10 PCES	EDELSTAHL-FILTER 2 TASSEN H.24,5 10 ST
9	27311201	●	PORTAFILTRO 2 TAZZE COPERTURA NERA	FILTER HOLDER 2T BLACK COVER	PORTE-FILTRE 2T COUVERCLE NOIR	FILTER HALTER 2T SCHWARZE ABDECKUNG
10	27042001	●	BECCUCCIO 2 TAZZE	SPOUT 2 CUPS	BEC 2 TASSES	AUSGUSS 2 TASSEN
11	27146	●	FILTRO INOX 1 TAZZA H.19,5	1 CUP STAINLESS STEEL FILTER H.19,5	FILTRE INOX 1 TASSE H.19,5	EDELSTAHL-FILTER 1 TASSE H.19,5
12	27176	●	FILTRO INOX 2 TAZZE H.22	2 CUP STAINLESS STEEL FILTER H.22	FILTRE INOX 2 TASSES H.22	EDELSTAHL-FILTER 2 TASSEN H.22
13	27173	●	FILTRO INOX 2 TAZZE CIECO	2 CUPS STAINLESS STEEL BLIND FILTER	FILTRE INOX 2 TASSES AVEUGLE	GESCHLOSSENER FILTER 2 TASSEN